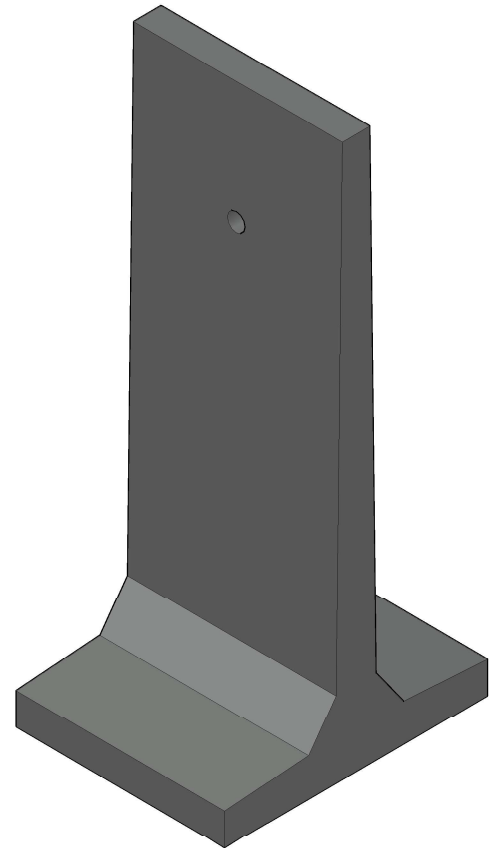
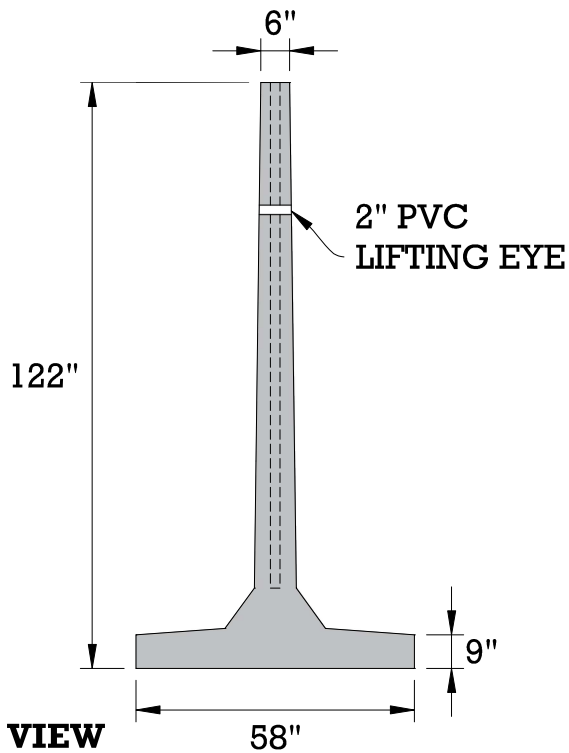
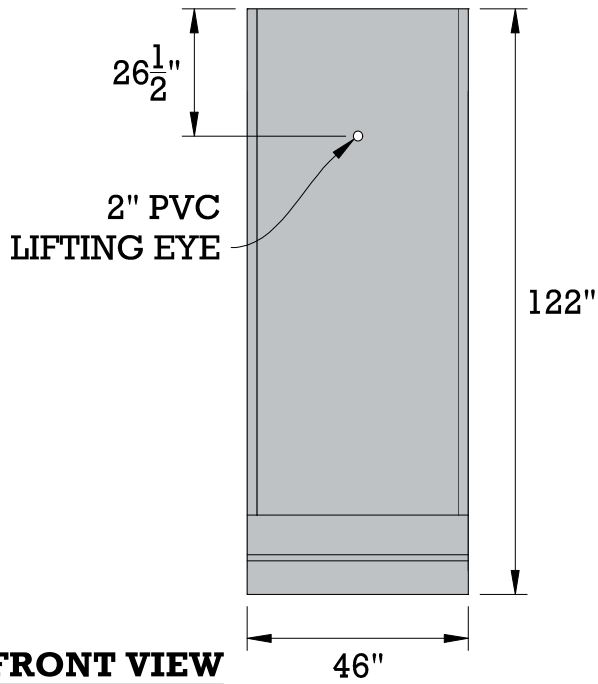


10' T-WALL



	WEIGHT (LBS)	SPECIFICATIONS
	5,800	Concrete: 4000PSI @ 28 days
		Reinforcement: ASTM A615/A615M GRADE 60 ASTM A1064/A1064M-16B

JMI

Jamestown Macadam, Inc.
www.jamestownmacadam.com
 716-665-4504