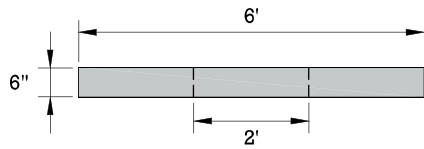
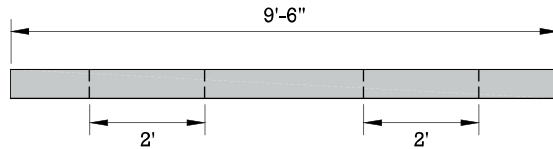


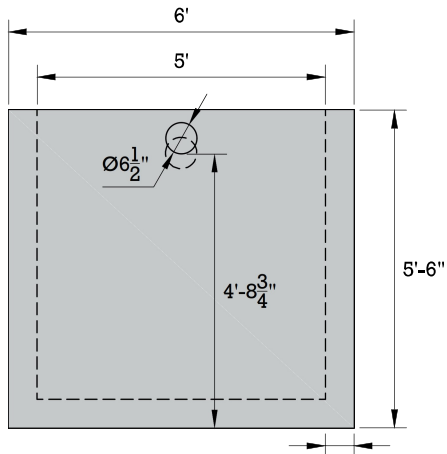
1,000 GALLON 2-C TRAFFIC RATED TANK



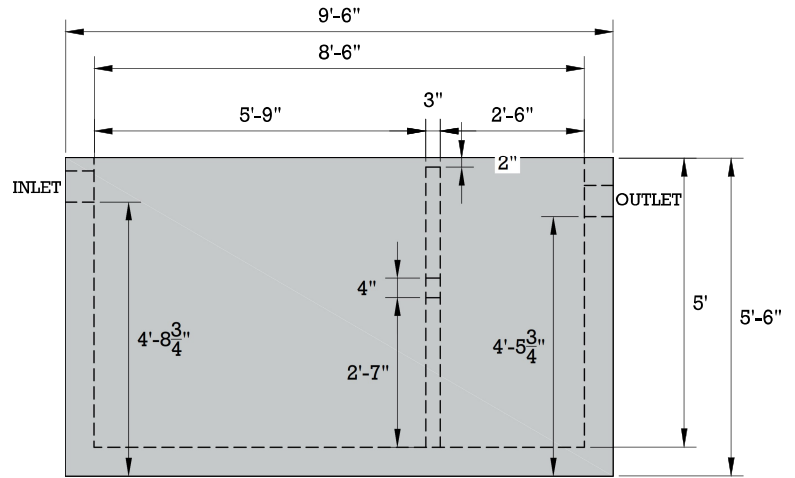
FRONT VIEW - TOP



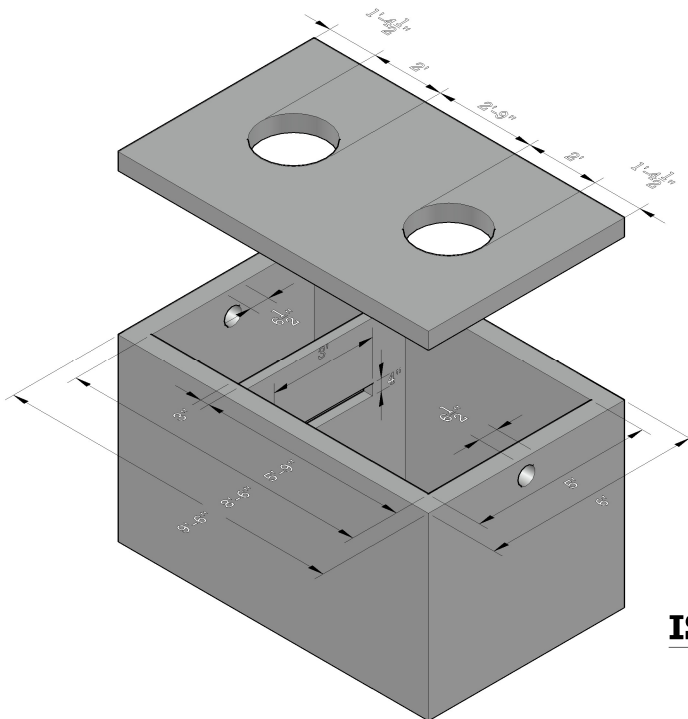
SIDE VIEW - TOP



FRONT VIEW 6"



SIDE VIEW



ISOMETRIC VIEW

SIZE	WEIGHT (LBS)	SPECIFICATIONS
	17,200	Concrete: 4000PSI @ 28 days
		Reinforcement: ASTM A615/A615M GRADE 60 ASTM A1064/A1064M-16B
		<ul style="list-style-type: none"> The tank is a monolithic pour (no mid seams). Top Slab is sealed with prostick mastic. The tank is designed to meet HS 20-44 loading requirements. Reinforced lid - has optional PA inspection port. Reinforced risers are available. 3 optional inlets and 1 outlet location.

Jamestown Macadam, Inc.
www.jamestownmacadam.com
 716-665-4504