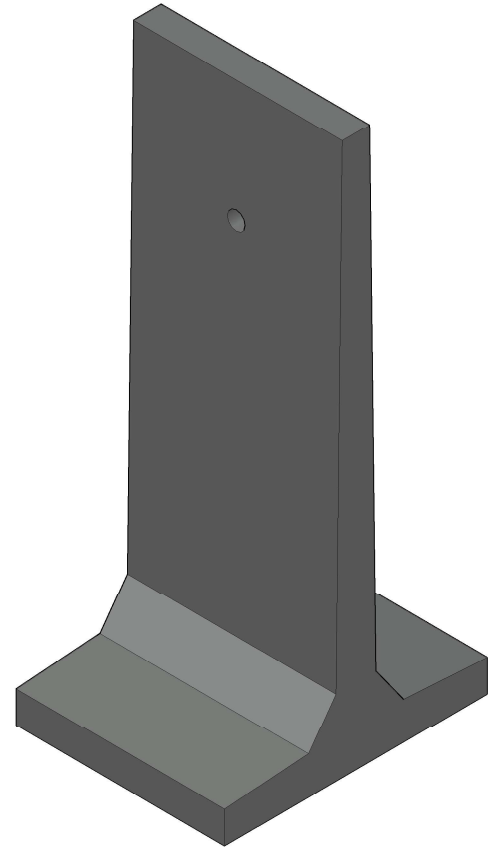
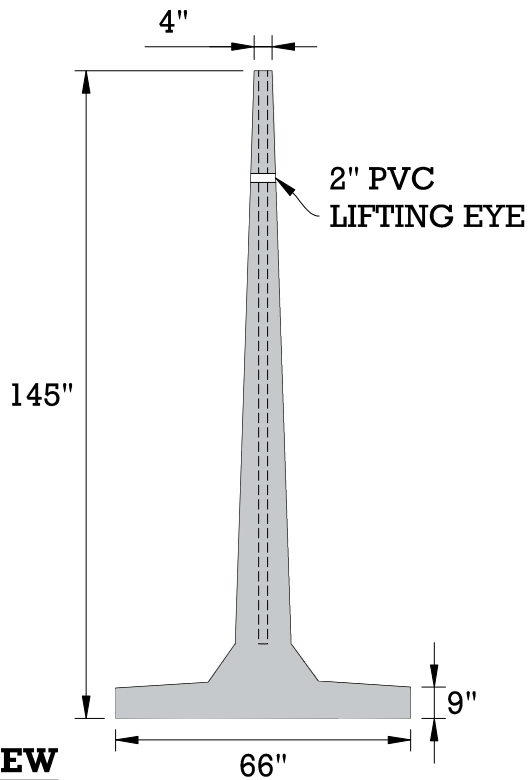
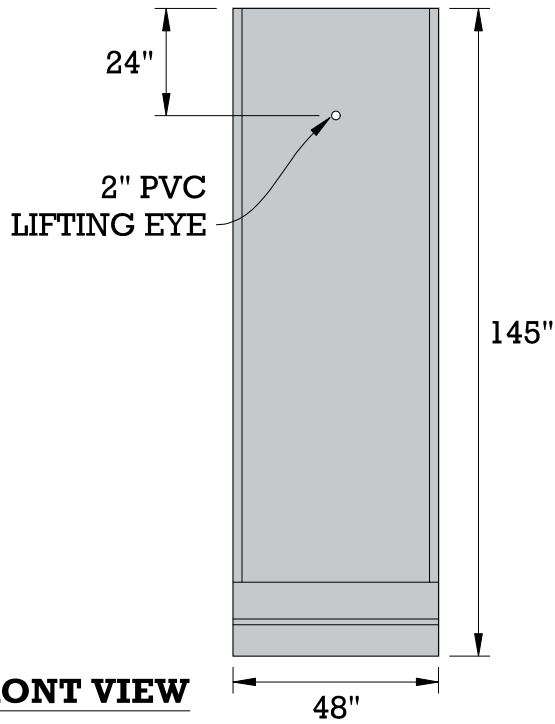


# 12' T-WALL



	<b>WEIGHT (LBS)</b>	<b>SPECIFICATIONS</b>
	<b>7,550</b>	Concrete: 4000PSI @ 28 days
		Reinforcement: ASTM A615/A615M GRADE 60 ASTM A1064/A1064M-16B

