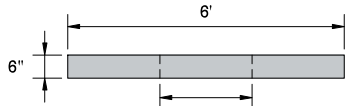
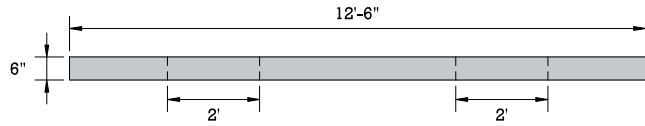


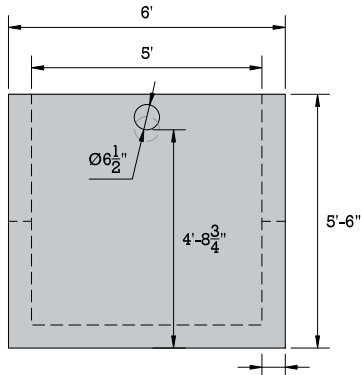
1,500 GALLON 2-C TRAFFIC RATED TANK



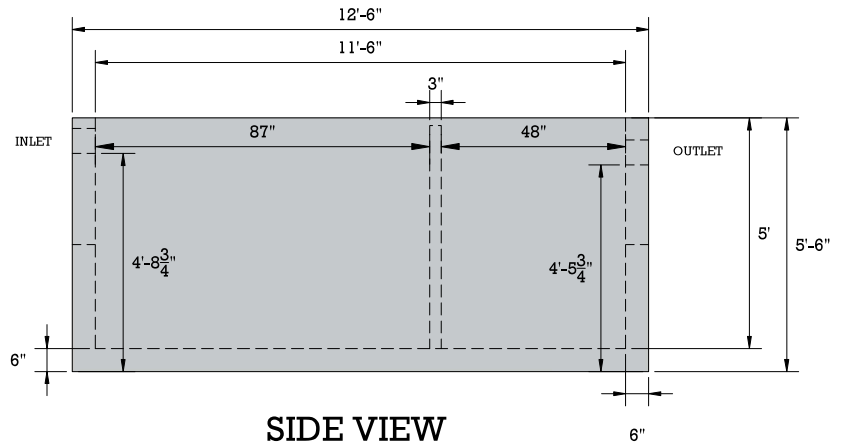
FRONT VIEW - TOP



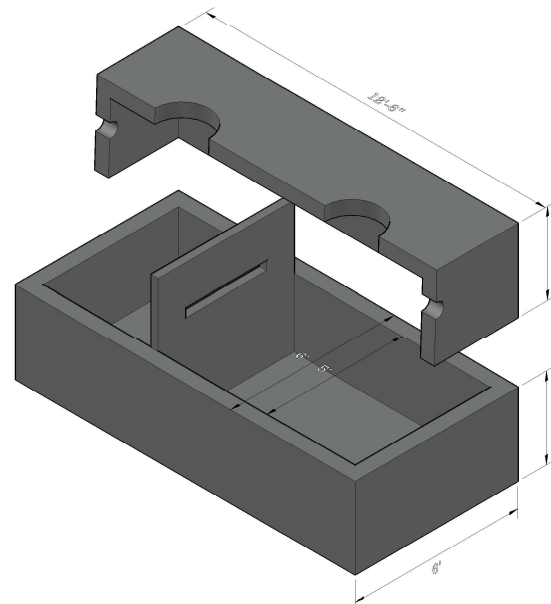
SIDE VIEW - TOP



FRONT VIEW 6"



SIDE VIEW



ISOMETRIC VIEW

| SIZE | WEIGHT (LBS) | SPECIFICATIONS |
|------|--------------|---|
| | 22,200 | Concrete: 4000PSI @ 28 days |
| | | Reinforcement: ASTM A615/A615M GRADE 60 ASTM A1064/A1064M-16B |
| | | <ul style="list-style-type: none"> The tank is a monolithic pour (no mid seams). Top Slab is sealed with prostick mastic. The tank is designed to meet HS 20-44 loading requirements. Reinforced lid - has optional PA inspection port. Reinforced risers are available. 3 optional inlets and 1 outlet location. |

