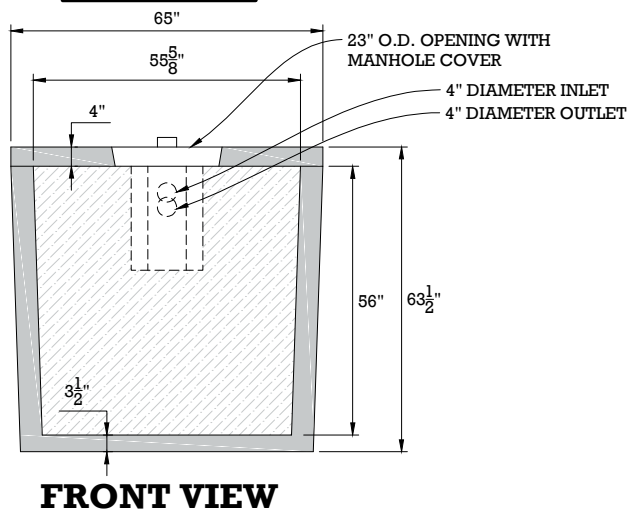
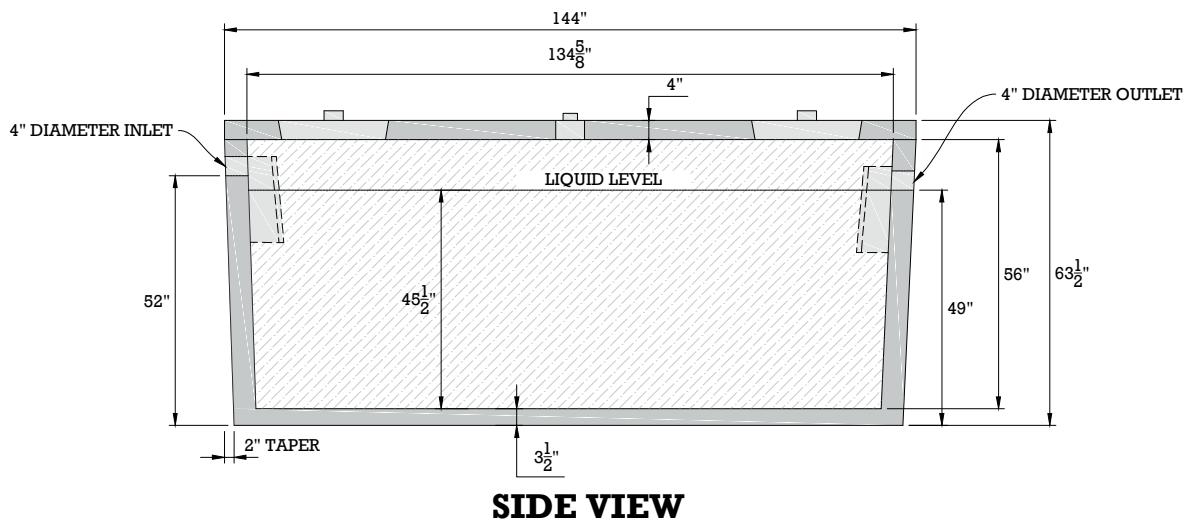
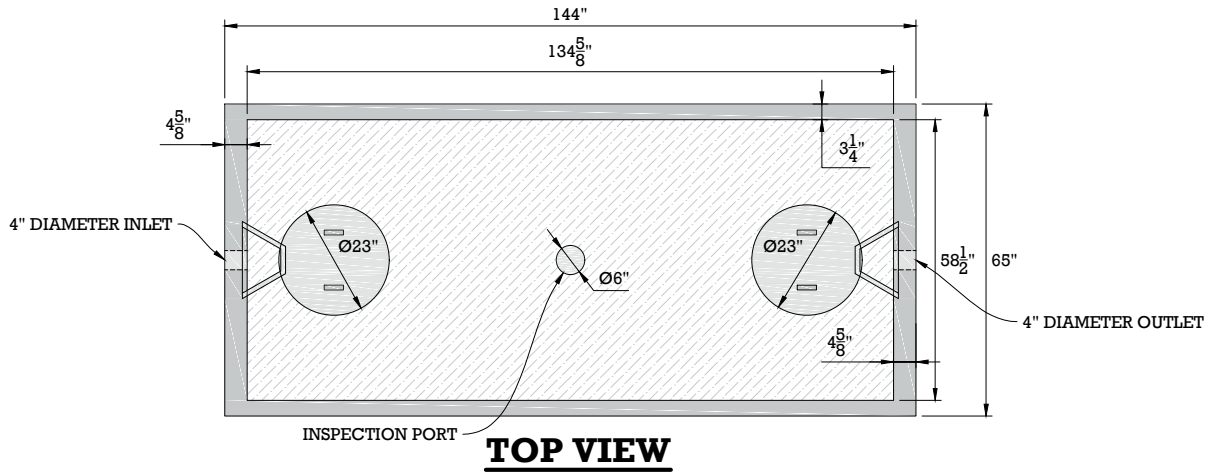


# 1500 GAL. SINGLE COMPARTMENT SEPTIC TANK



WEIGHT (LBS)	SPECIFICATIONS
11,600	Concrete: 4000PSI @ 28 days
	Reinforcement: ASTM A615/A615M GRADE 60 ASTM A1064/A1064M-16B
	<ul style="list-style-type: none"> <li>The tank is a monolithic pour (no mid seams).</li> <li>Top Slab is sealed with prostick mastic.</li> <li>The tank is designed to meet HS 20-44 loading requirements.</li> <li>Reinforced lid - has optional PA inspection port.</li> <li>Reinforced risers are available.</li> <li>3 optional inlets and 1 outlet location.</li> </ul>

