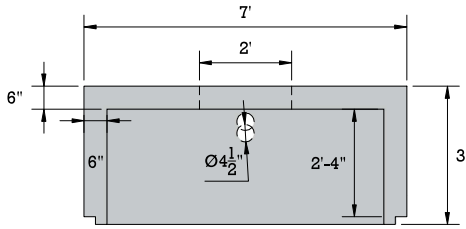
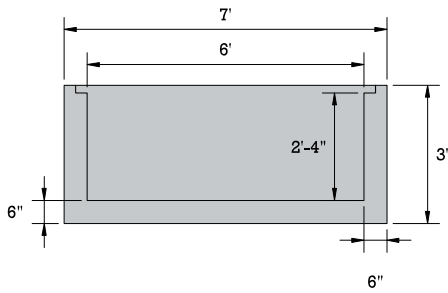


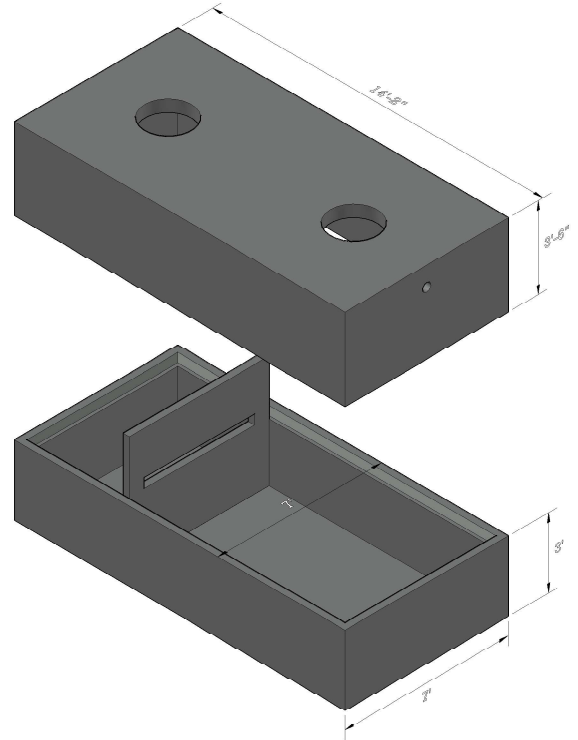
# 2,000 GALLON 2-C TRAFFIC RATED TANK



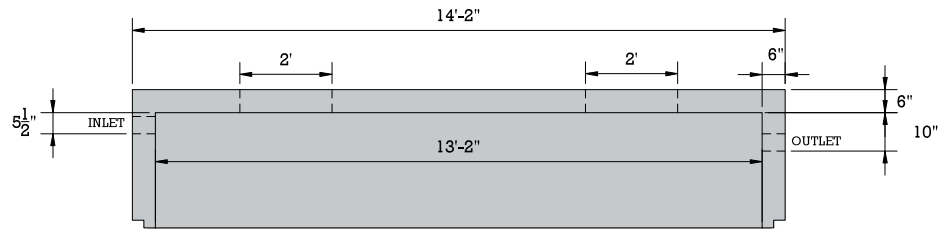
**TOP FRONT VIEW**



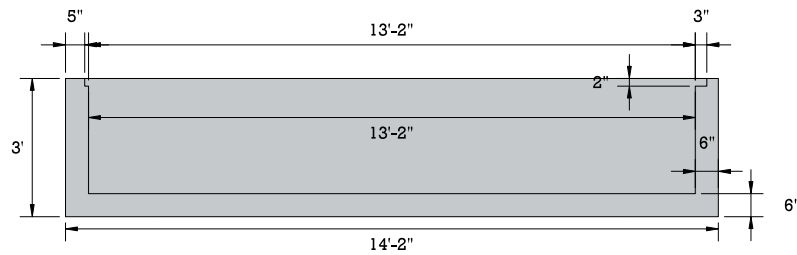
**BASE FRONT VIEW**



**ISOMETRIC VIEW**



**TOP SIDE VIEW**



**BASE SIDE VIEW**

SIZE	WEIGHT (LBS)	SPECIFICATIONS
	<b>22,100</b>	Concrete: 4000PSI @ 28 days
		Reinforcement: ASTM A615/A615M GRADE 60 ASTM A1064/A1064M-16B
		<ul style="list-style-type: none"> <li>The tank is a monolithic pour (no mid seams).</li> <li>Top Slab is sealed with prostick mastic.</li> <li>The tank is designed to meet HS 20-44 loading requirements.</li> <li>Reinforced lid - has optional PA inspection port.</li> <li>Reinforced risers are available.</li> <li>3 optional inlets and 1 outlet location.</li> </ul>

