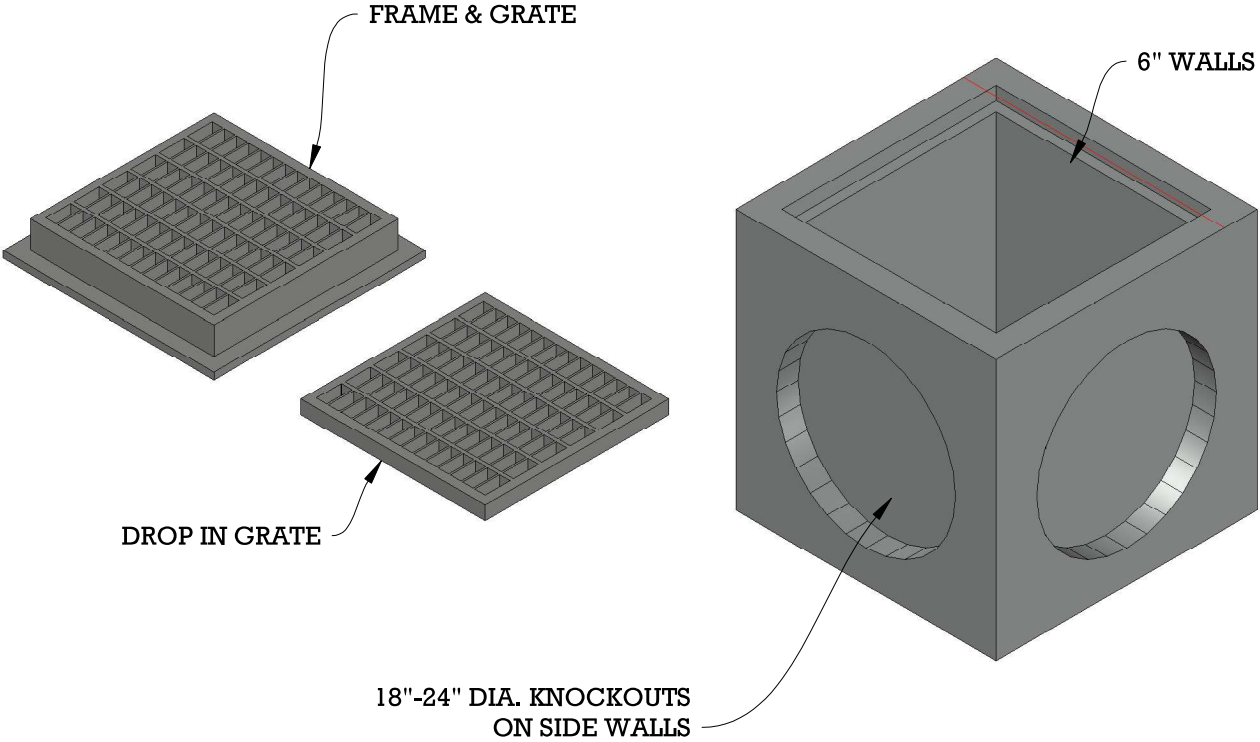
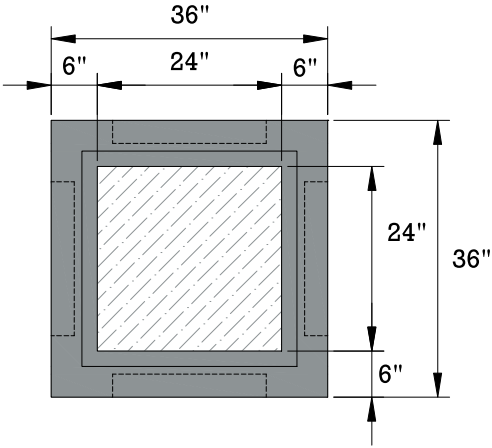


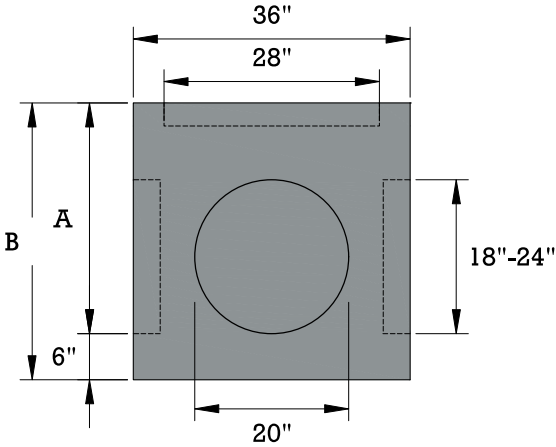
CATCH BASIN 2X2



ISOMETRIC VIEW



TOP VIEW



SIDE VIEW

SIZE	A	B	WEIGHT (LBS)	SPECIFICATIONS
2'x2'x2' w/ 18" Knockouts	24"	30"	1,275	Concrete: 4000PSI @ 28 days
2'x2'x3' w/ 24" Knockouts	36"	42"	1,950	Reinforcement: Bar ASTM A615 GR60 WWR ASTM A185/A497 GR65
2'x2'x4' w/ 24" Knockouts	48"	54"	2,590	Structure is designed to meet HS 20-44 loading requirements
				Frame and Grates Available; Heavy Duty & Bicycle Safe
				Concrete Risers Available

JMI
Jamestown Macadam, Inc.
www.jamestownmacadam.com
 716-665-4504