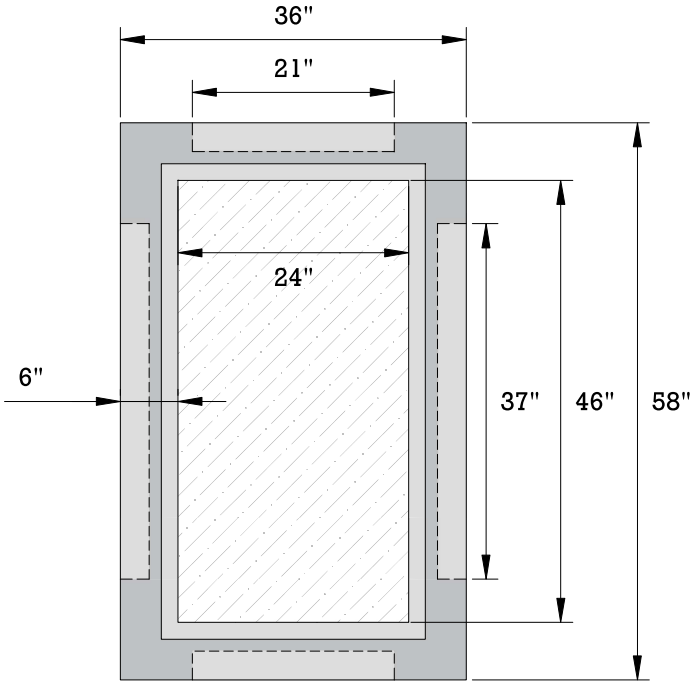
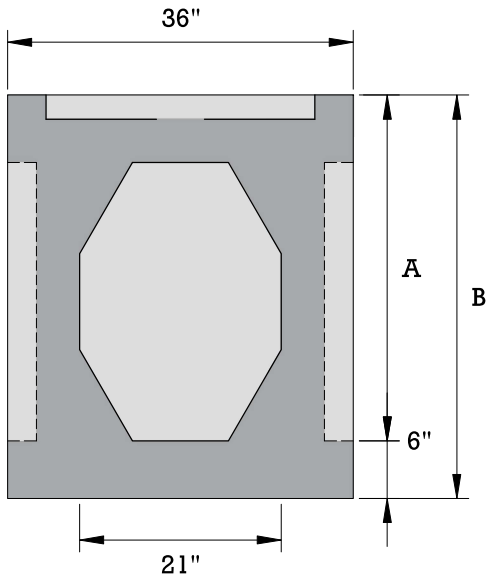
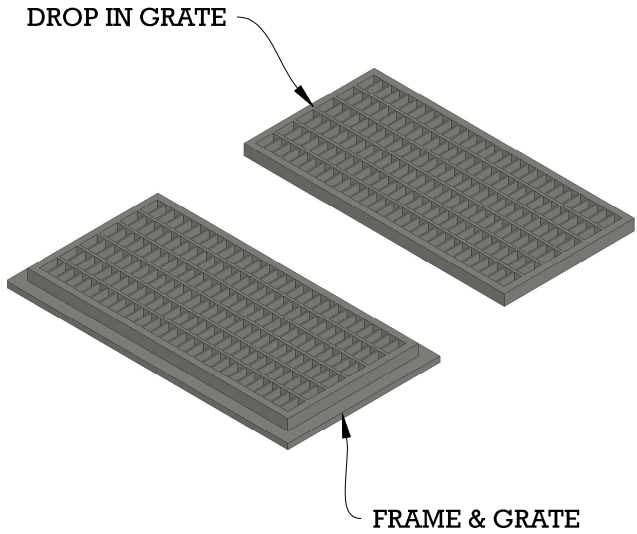


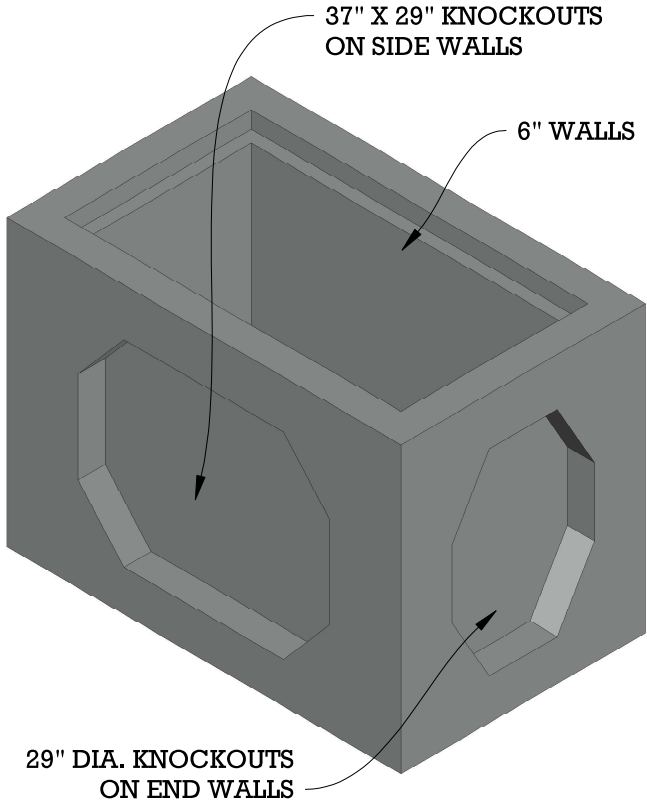
# CATCH BASIN 2X4



**TOP VIEW**



**SIDE VIEW**



**ISOMETRIC VIEW**

SIZE	A	B	WEIGHT	SPECIFICATIONS	
2'x4'x3'	36"	42"	3,875	Concrete: 4000PSI @ 28 days	
2'x4'x4'	48"	54"	4,850	Reinforcement: ASTM A615 GRADE 60 ASTM A185 GRADE 65	18" Diameter knockouts on sidewalls
				Structure is designed to meet HS 20-44 loading requirements	
				Frame and Grates Available; Heavy Duty & Bicycle Safe	
				Concrete Risers Available	

