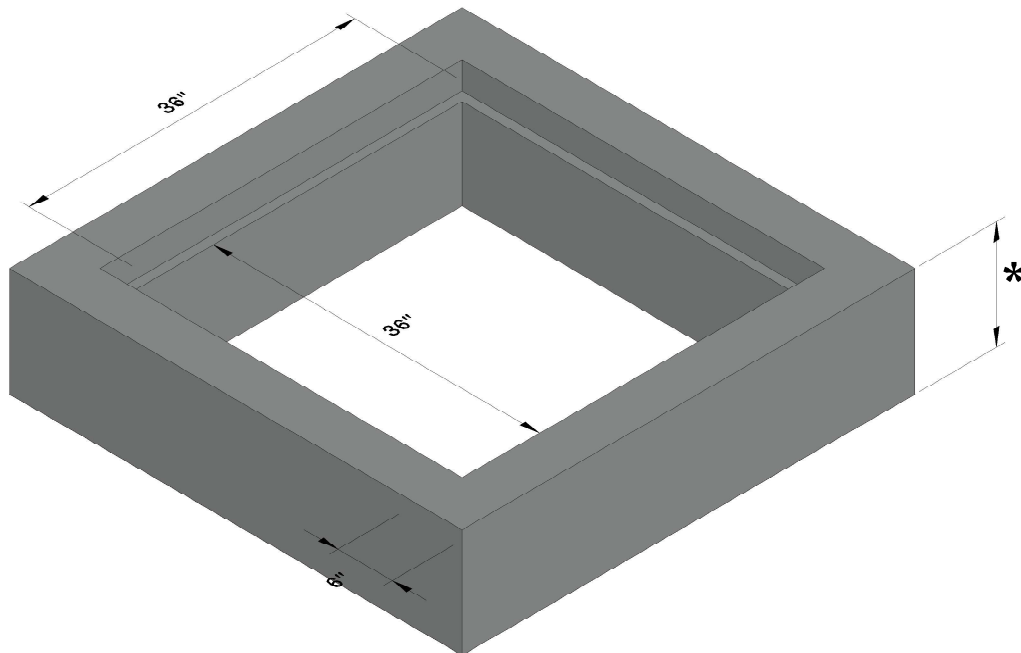
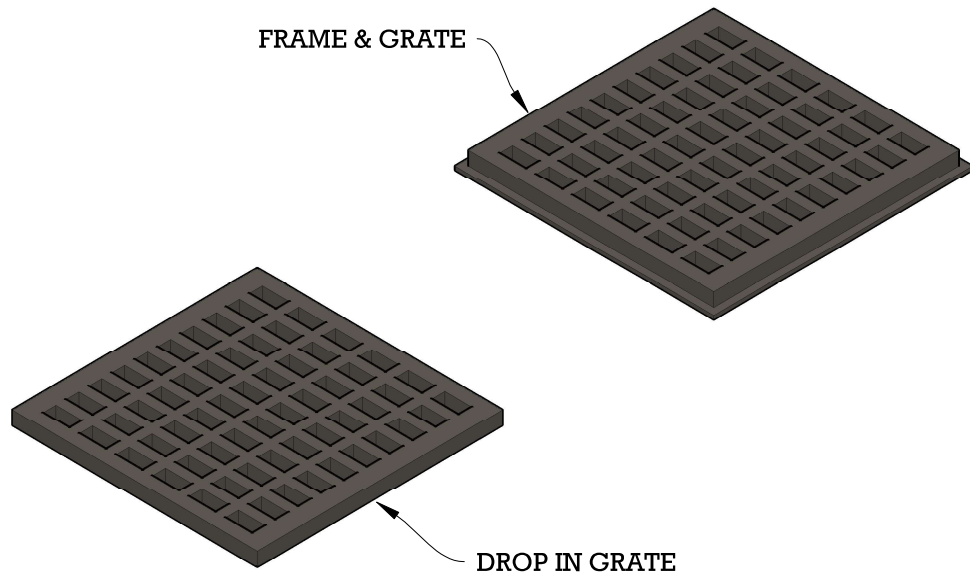


CATCH BASIN RISER 3X3



ISOMETRIC VIEW

*			WEIGHT (LBS)	SPECIFICATIONS	
6"			975	Concrete: 4000PSI @ 28 days	
12"			1,275	Reinforcement: ASTM A615 GRADE 60 ASTM A185 GRADE 65	
24"			1,950		
36"			2,590	Structure is designed to meet HS 20-44 loading requirements	
48"			2,900	Frame and Grates Available; Heavy Duty & Bicycle Safe	

