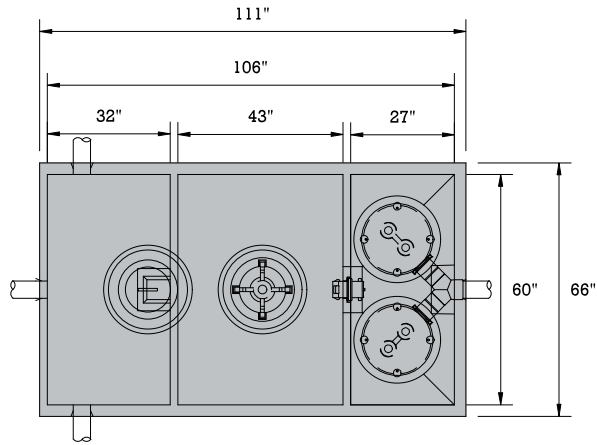
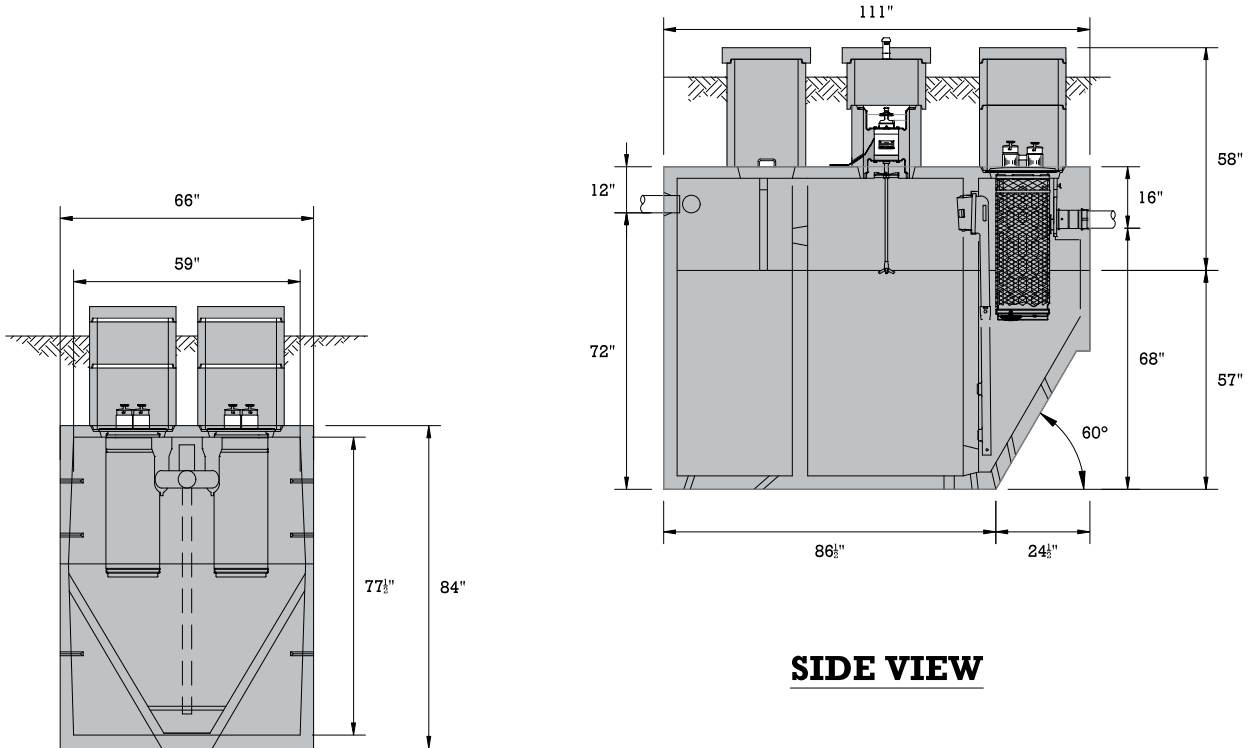


750 GALLONS/DAY NORWECO SEPTIC TANK



TOP VIEW



FRONT VIEW

SIDE VIEW

	WEIGHT (LBS)	SPECIFICATIONS
	12,200	Concrete: 4000PSI @ 28 days
		Reinforcement: ASTM A615/A615M GRADE 60 ASTM A1064/A1064M-16B
		<ul style="list-style-type: none"> • The tank is a monolithic pour (no mid seams). • Top Slab is sealed with prostick mastic.
		<ul style="list-style-type: none"> • The tank is designed to meet HS 20-44 loading requirements.
		<ul style="list-style-type: none"> • Reinforced lid - has optional PA inspection port. • Reinforced risers are available. • 3 optional inlets and 1 outlet location.

