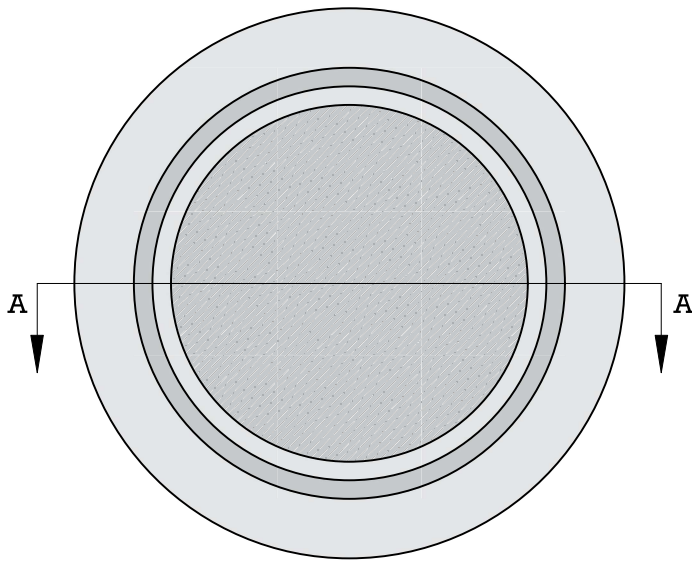
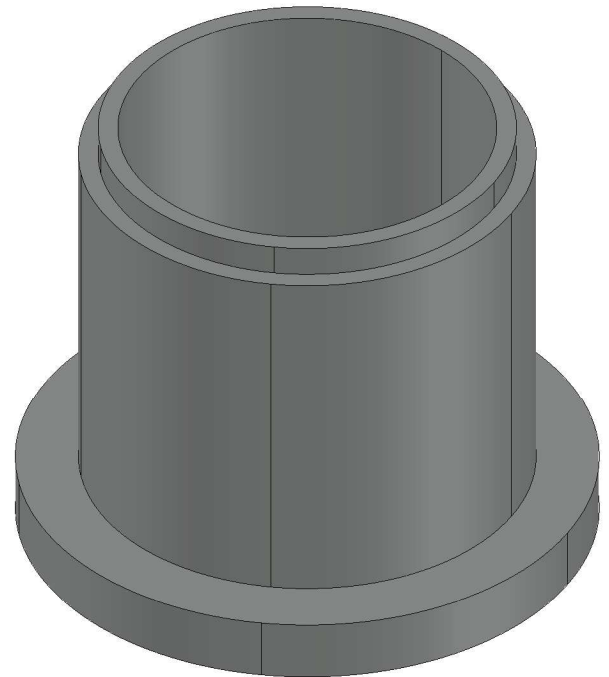


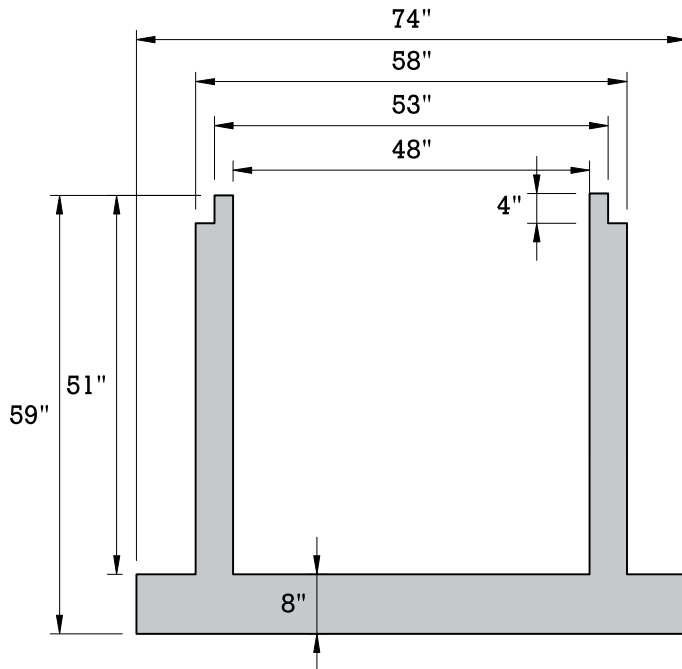
48" MANHOLE BASE SECTION



TOP VIEW



ISOMETRIC VIEW



SECTION A-A

HEIGHT	WEIGHT (LBS)	SPECIFICATIONS
12"	3,350	Concrete: 4000PSI @ 28 days
24"	4,225	Reinforcement: Bar ASTM A615 GR60 WWR ASTM A185/A497 GR65
36"	5,100	
48"	6,000	Structure is designed to meet HS 20-44 loading requirements
60"	6,900	
		Frame and Grates Available; Heavy Duty & Bicycle Safe

