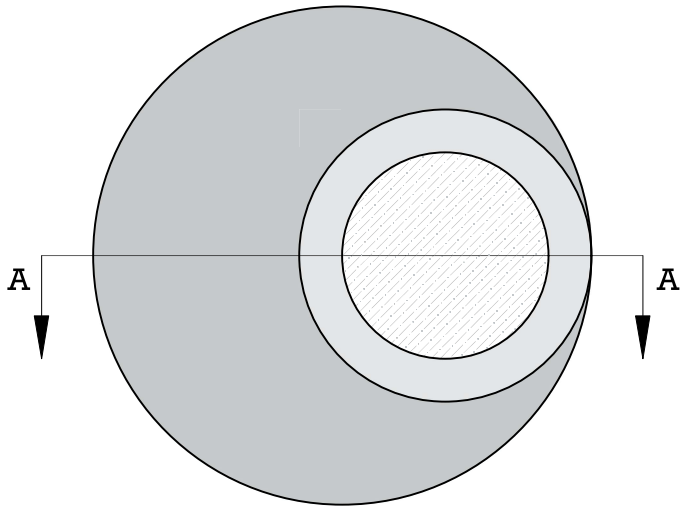
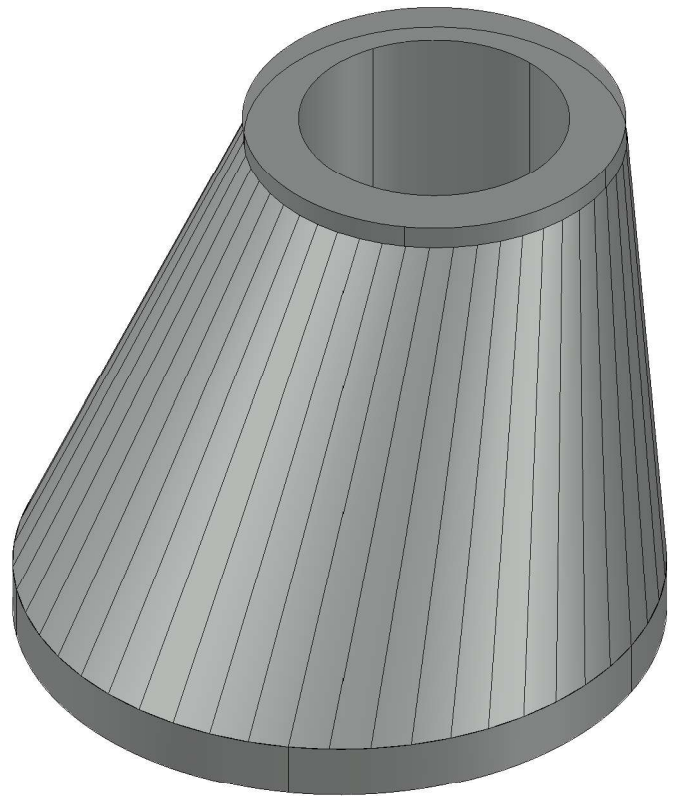


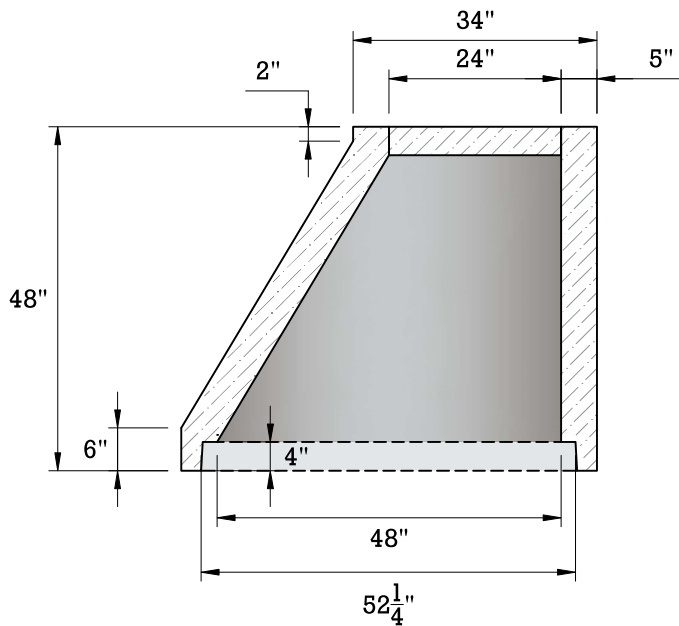
48" MANHOLE CONE



TOP VIEW



ISOMETRIC VIEW



SECTION A-A

HEIGHT	WEIGHT (LBS)	SPECIFICATIONS
48"	2,600	Concrete: 4000PSI @ 28 days
		Reinforcement: Bar ASTM A615 GR60 WWR ASTM A185/A497 GR65
		Structure is designed to meet HS 20-44 loading requirements
		Frame and Grates Available; Heavy Duty & Bicycle Safe

