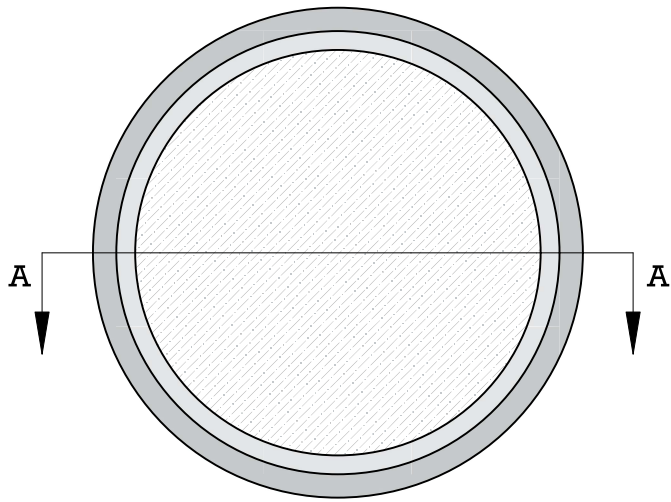
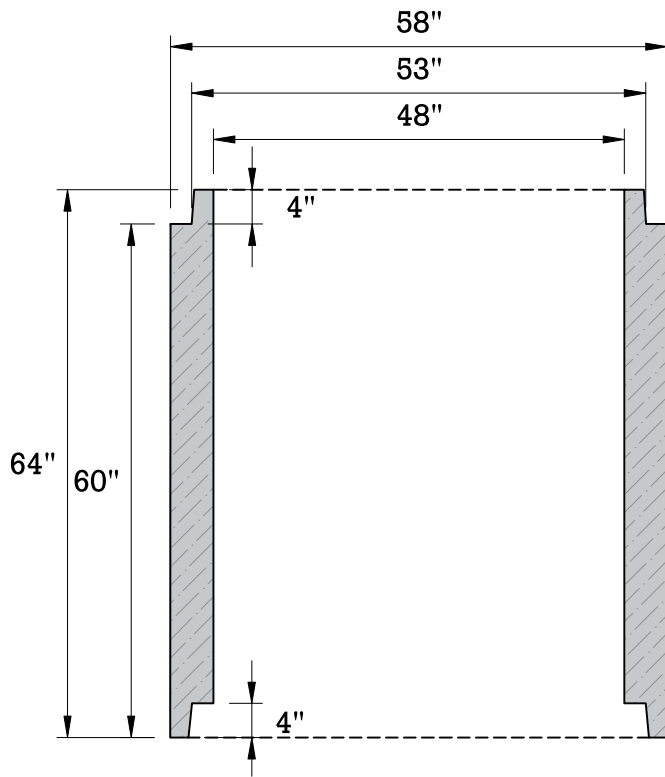


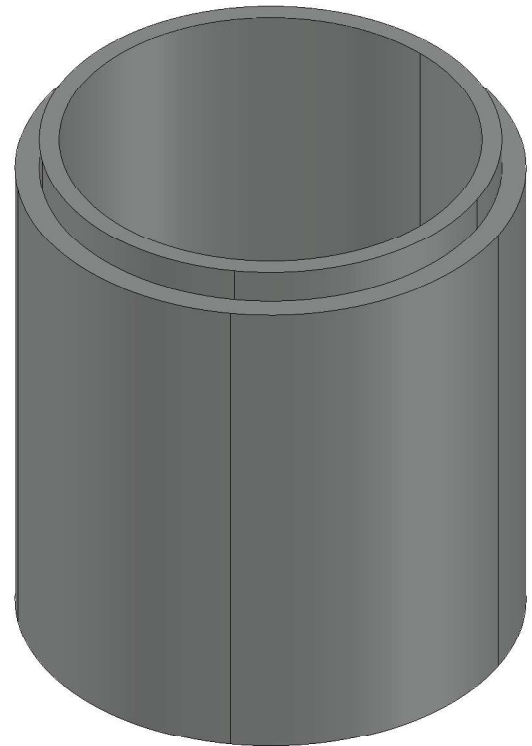
48" MANHOLE RING SECTION



TOP VIEW



SECTION A-A



ISOMETRIC VIEW

HEIGHT	WEIGHT (LBS)	SPECIFICATIONS
12"	875	Concrete: 4000PSI @ 28 days
24"	1,750	
36"	2,600	Reinforcement: Bar ASTM A615 GR60 WWR ASTM A185/A497 GR65
48"	3,500	
60"	4,300	Structure is designed to meet HS 20-44 loading requirements

JMI
 Jamestown Macadam, Inc.
www.jamestownmacadam.com
 716-665-4504