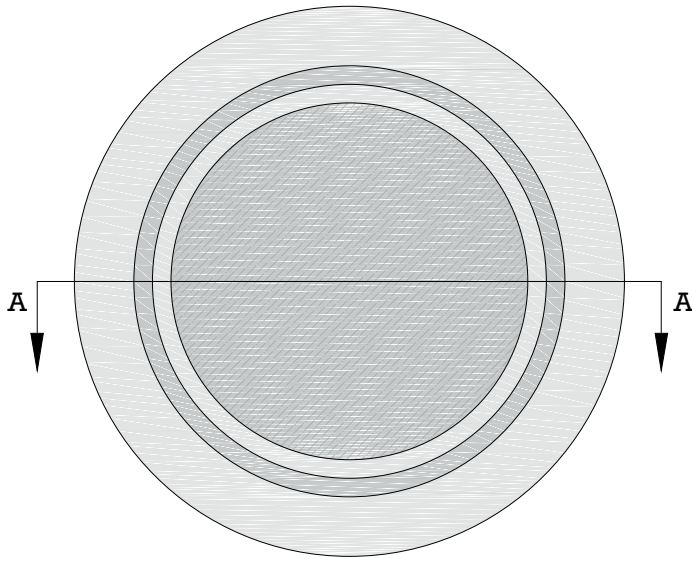
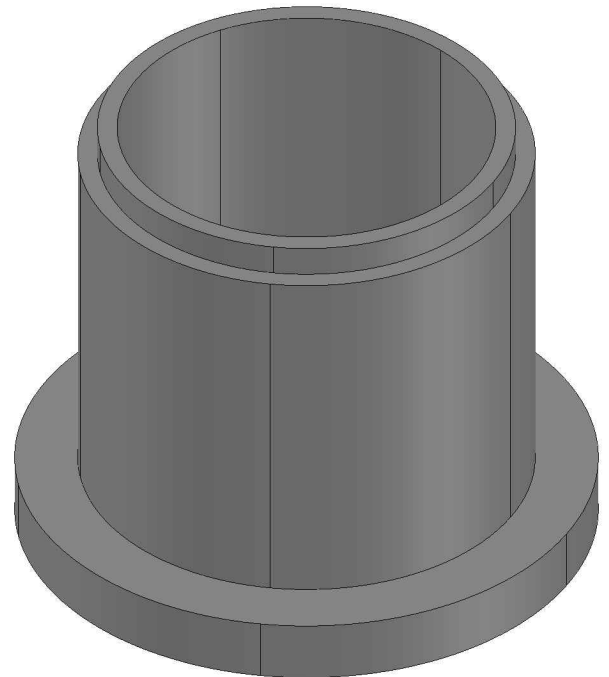


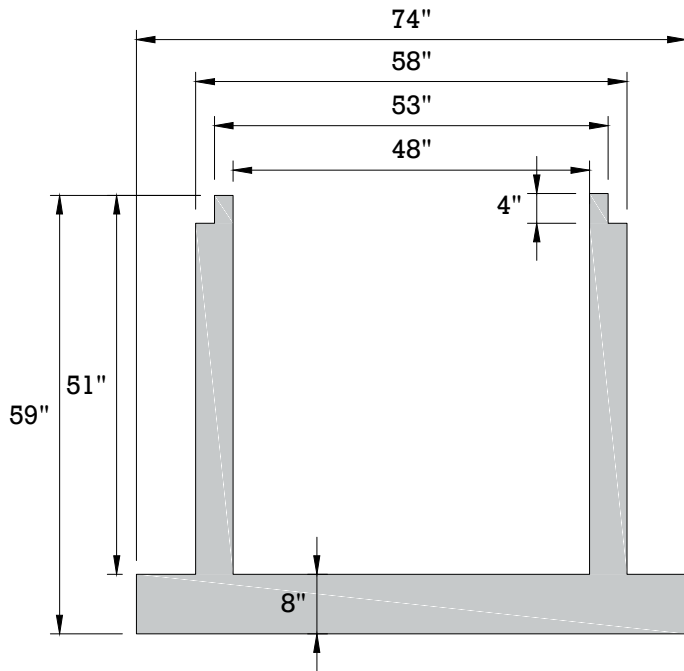
48" MANHOLE BASE SECTION



TOP VIEW



ISOMETRIC VIEW



SECTION A-A

HEIGHT	WEIGHT (LBS)	SPECIFICATIONS
24"	4,850	Concrete: 4000PSI @ 28 days
36"	3,875	Reinforcement:
48"	4,850	Bar ASTM A615 GR60 WWR ASTM A185/A497 GR65
		Structure is designed to meet HS 20-44 loading requirements
		Frame and Grates Available; Heavy Duty & Bicycle Safe

