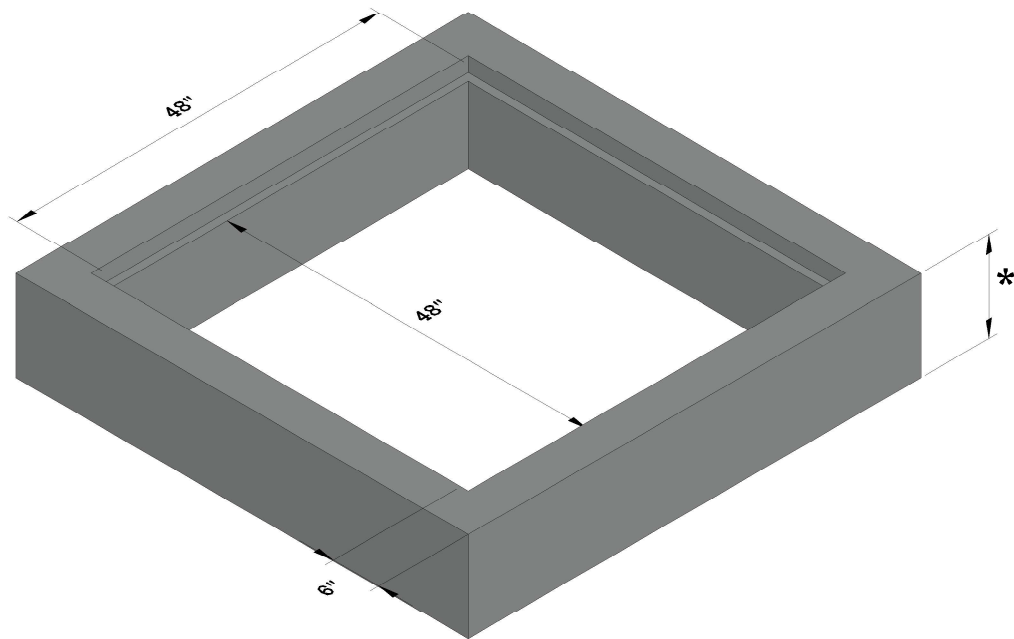
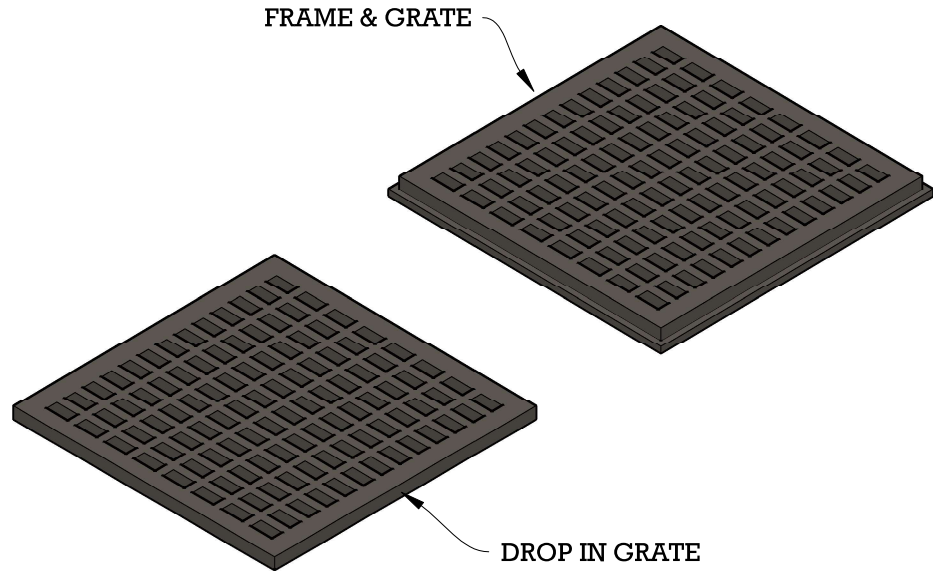


CATCH BASIN RISER 4X4



ISOMETRIC VIEW

*			WEIGHT (LBS)	SPECIFICATIONS
12"			1,275	Concrete: 4000PSI @ 28 days
24"			2,550	Reinforcement:
36"			3,825	Bar ASTM A615 GR60
48"			5,100	WWR ASTM A185/A497 GR65
				Structure is designed to meet HS 20-44 loading requirements
				Frame and Grates Available; Heavy Duty & Bicycle Safe

