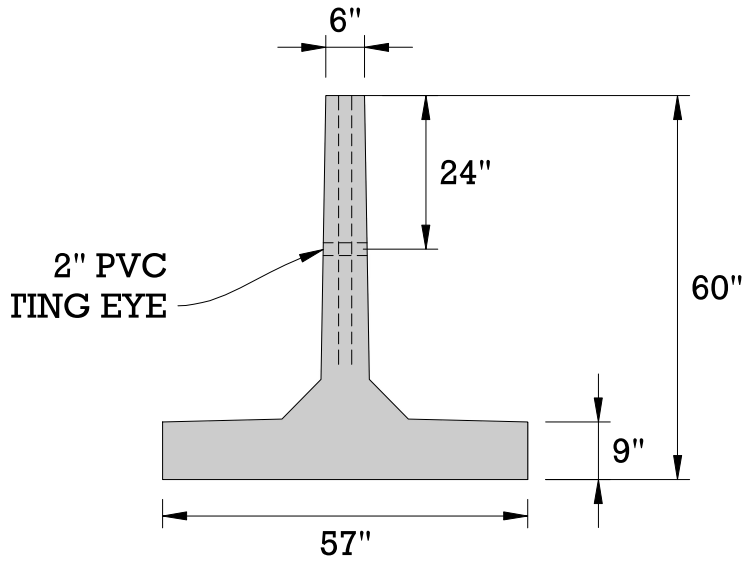
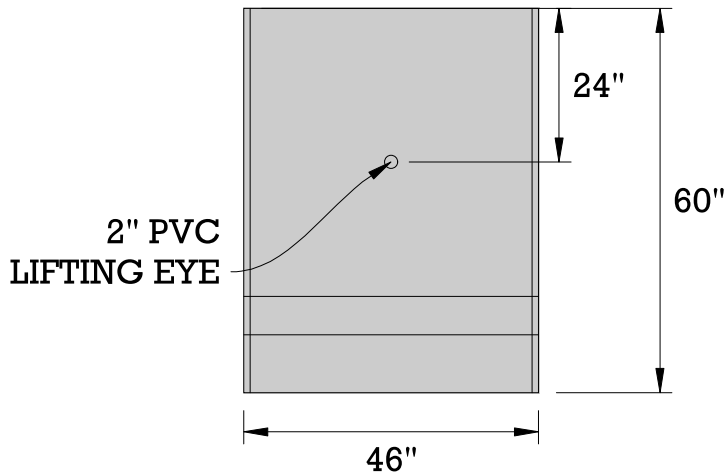


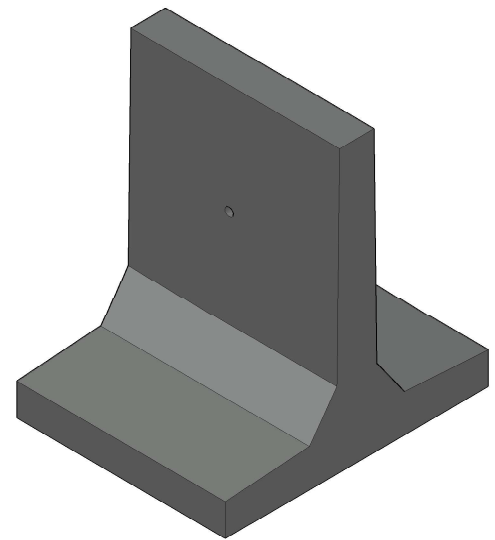
# 5' T-WALL



**FRONT VIEW**



**SIDE VIEW**



**ISOMETRIC VIEW**

|  | WEIGHT (LBS) | SPECIFICATIONS                                                      |
|--|--------------|---------------------------------------------------------------------|
|  | 4,500        | Concrete: 4000PSI @ 28 days                                         |
|  |              | Reinforcement:<br>ASTM A615/A615M GRADE 60<br>ASTM A1064/A1064M-16B |
|  |              |                                                                     |
|  |              |                                                                     |
|  |              |                                                                     |
|  |              |                                                                     |
|  |              |                                                                     |

