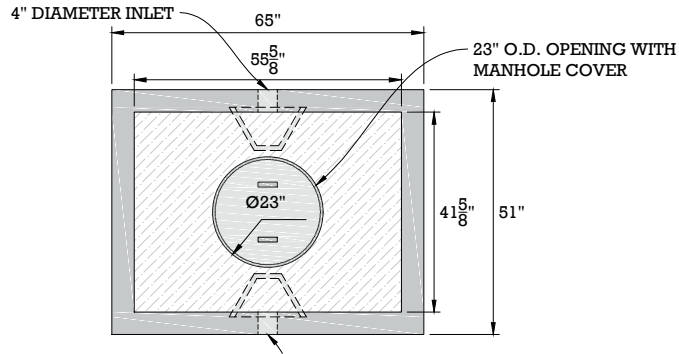
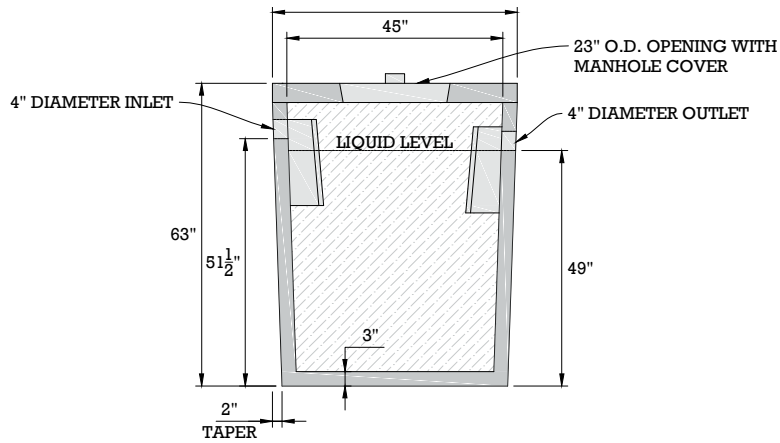


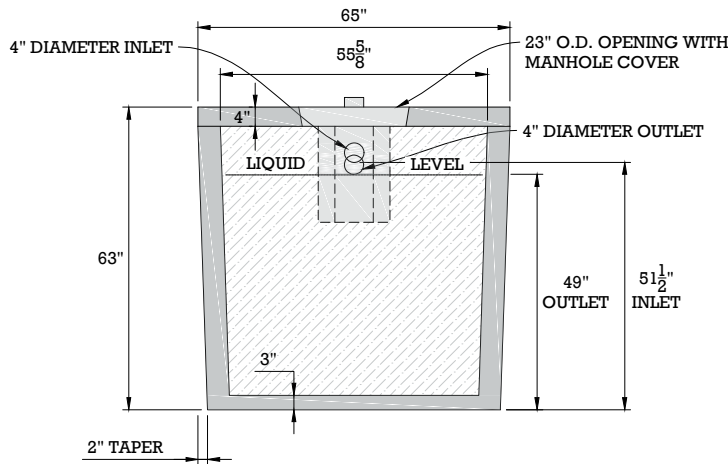
500 GAL. SINGLE COMPARTMENT SEPTIC TANK



TOP VIEW



SIDE VIEW



FRONT VIEW

| WEIGHT (LBS) | SPECIFICATIONS |
|--------------|---|
| 5,225 | Concrete: 4000PSI @ 28 days |
| | Reinforcement: ASTM A615/A615M GRADE 60 ASTM A1064/A1064M-16B |
| | <ul style="list-style-type: none"> The tank is a monolithic pour (no mid seams). Top Slab is sealed with prostick mastic. The tank is designed to meet HS 20-44 loading requirements. Reinforced lid - has optional PA inspection port. Reinforced risers are available. 3 optional inlets and 1 outlet location. |

