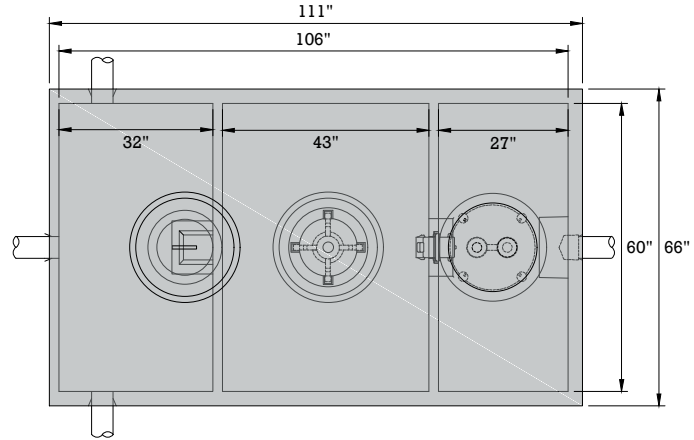
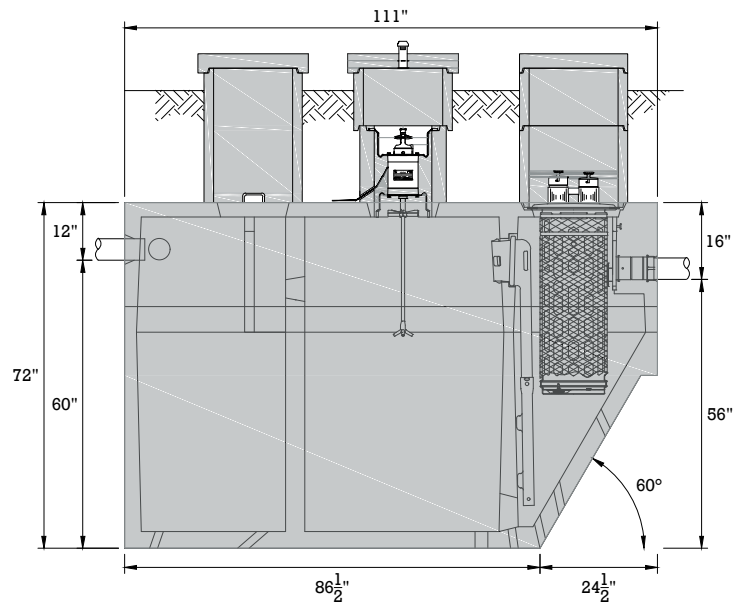


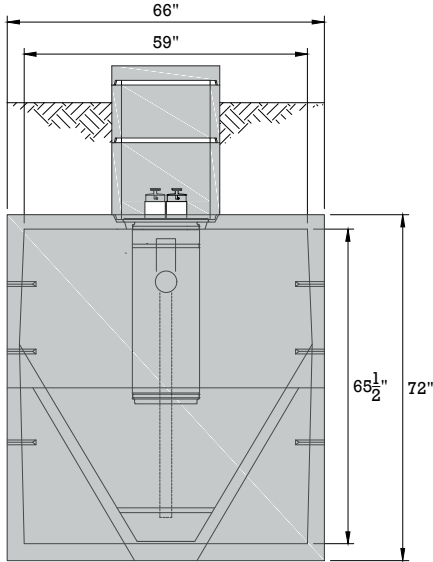
# 500 GALLONS/DAY NORWECO SEPTIC TANK



**TOP VIEW**



**SIDE VIEW**



**FRONT VIEW**

	<b>WEIGHT (LBS)</b>	<b>SPECIFICATIONS</b>
	<b>11,600</b>	<b>Concrete: 4000PSI @ 28 days</b>
		<b>Reinforcement:</b> ASTM A615/A615M GRADE 60 ASTM A1064/A1064M-16B
		<ul style="list-style-type: none"> <li>• The tank is a monolithic pour (no mid seams).</li> <li>• Top Slab is sealed with prostick mastic.</li> <li>• The tank is designed to meet HS 20-44 loading requirements.</li> <li>• Reinforced lid - has optional PA inspection port.</li> <li>• Reinforced risers are available.</li> <li>• 3 optional inlets and 1 outlet location.</li> </ul>

