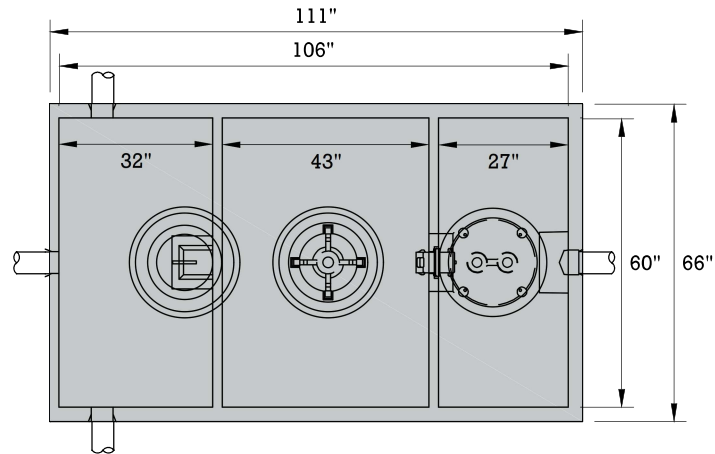
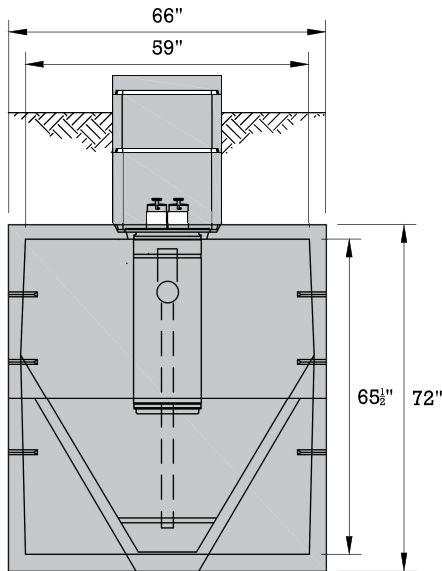


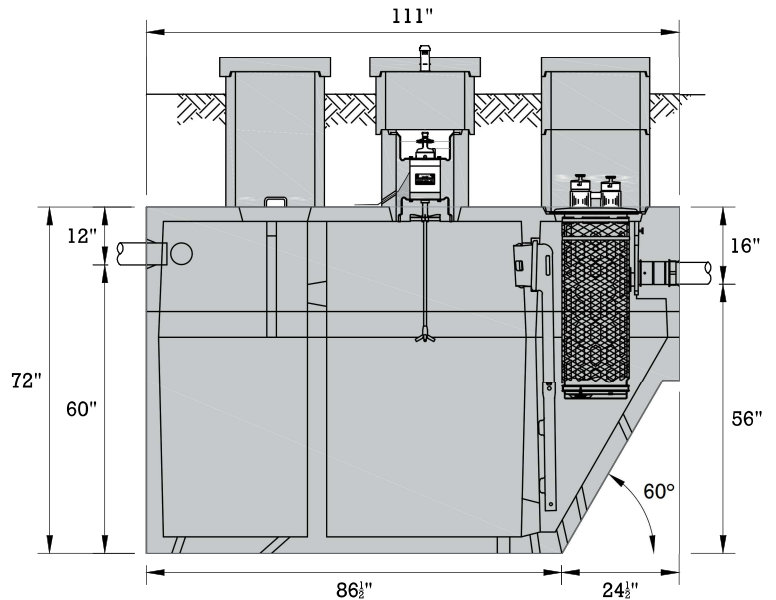
500 GALLONS/DAY NORWECO SEPTIC TANK



TOP VIEW



FRONT VIEW



SIDE VIEW

	WEIGHT (LBS)	SPECIFICATIONS
	12,155	Concrete: 4000PSI @ 28 days
		Reinforcement:
		ASTM A615/A615M GRADE 60
		ASTM A1064/A1064M-16B
		• The tank is a monolithic pour (no mid seams).
		• Top Slab is sealed with prostick mastic.
		• The tank is designed to meet HS 20-44 loading requirements.
		• Reinforced lid - has optional PA inspection port.
		• Reinforced risers are available.
		• 3 optional inlets and 1 outlet location.



Jamestown Macadam, Inc.
www.jamestownmacadam.com
716-665-4504