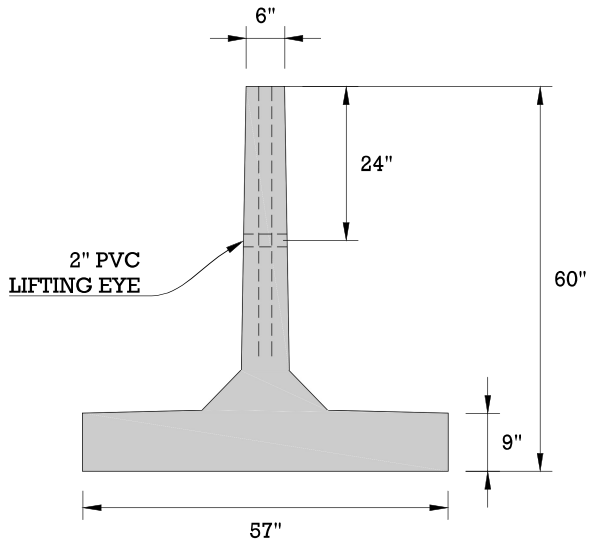
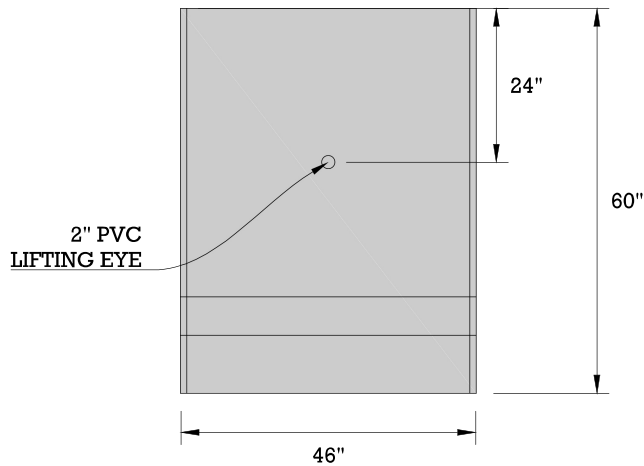


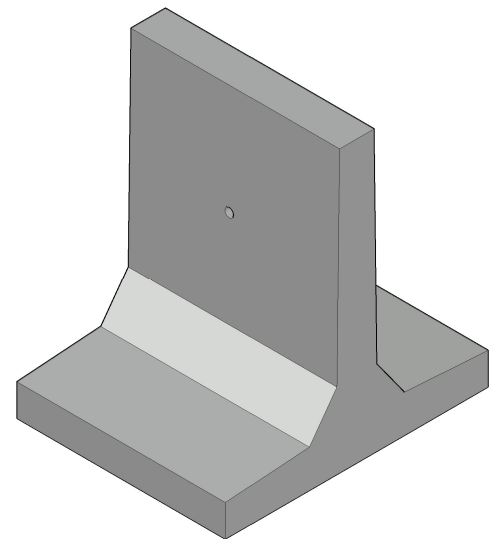
5' T-WALL



FRONT VIEW



SIDE VIEW



ISOMETRIC VIEW

	WEIGHT (LBS)	SPECIFICATIONS
	4,500	Concrete: 4000PSI @ 28 days
		Reinforcement:
		ASTM A615/A615M GRADE 60
		ASTM A1064/A1064M-16B

JMI
Jamestown Macadam, Inc.
www.jamestownmacadam.com
716-665-4504