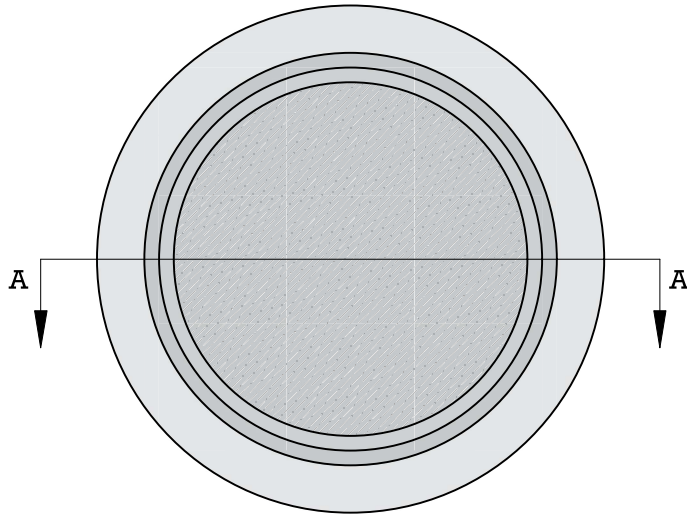
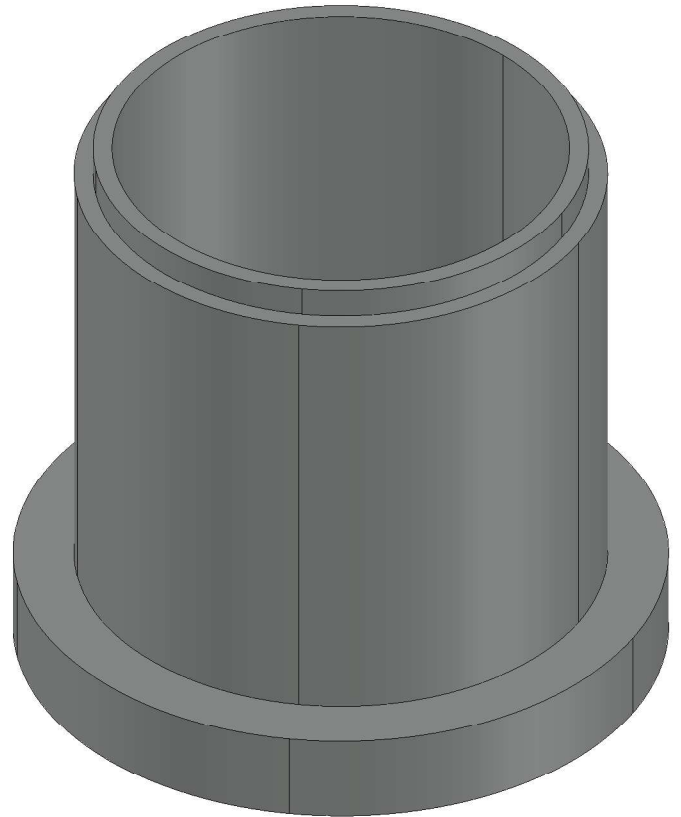


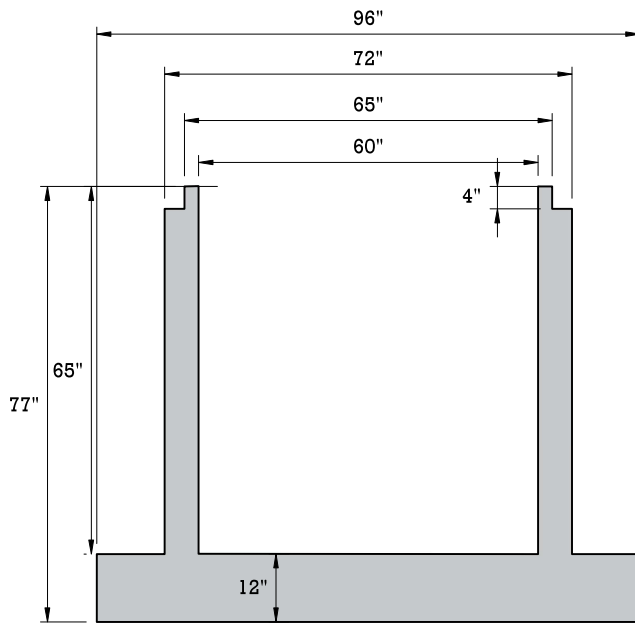
60" MANHOLE BASE SECTION



TOP VIEW



ISOMETRIC VIEW



SECTION A-A

HEIGHT	WEIGHT (LBS)	SPECIFICATIONS
24"	8,100	Concrete: 4000PSI @ 28 days
24"	9,400	Reinforcement: Bar ASTM A615 GR60 WWR ASTM A185/A497 GR65
36"	10,700	
48"	12,000	Structure is designed to meet HS 20-44 loading requirements
60"	13,350	
72"	14,700	Frame and Grates Available; Heavy Duty & Bicycle Safe

