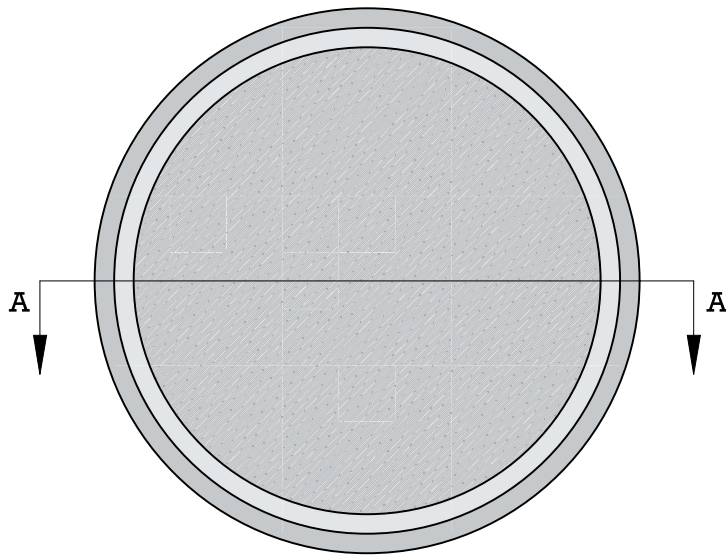
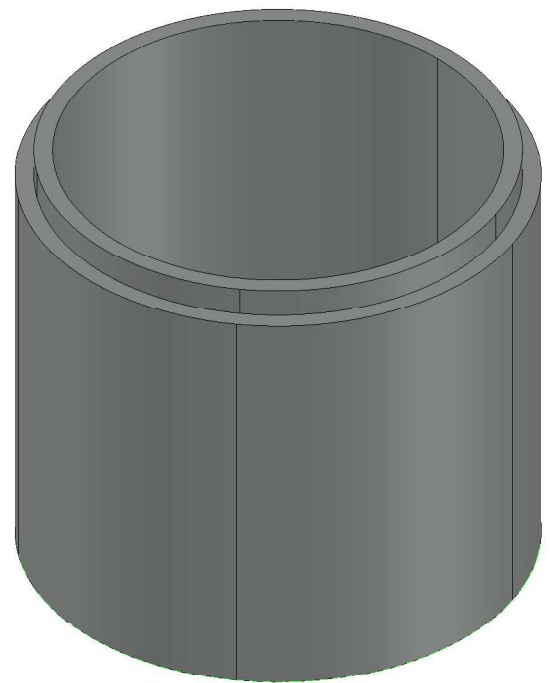


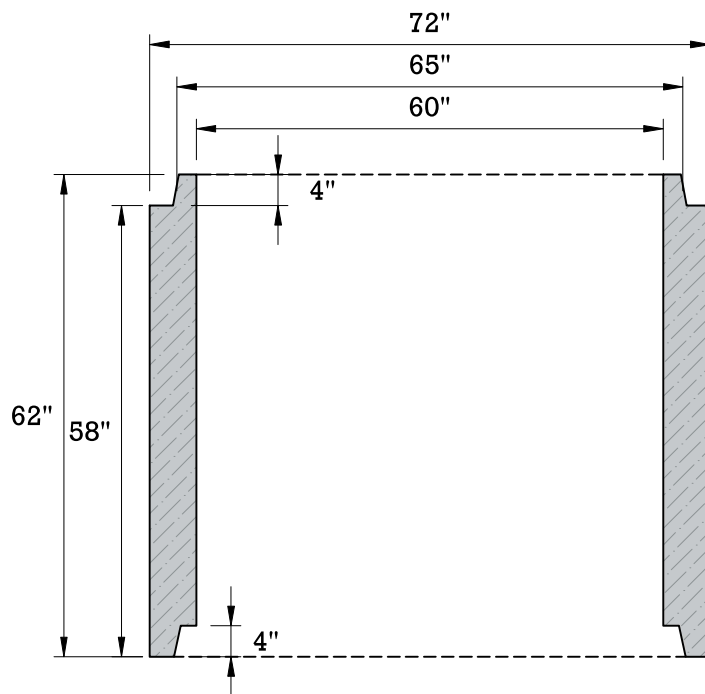
60" MANHOLE RING SECTION



TOP VIEW



ISOMETRIC VIEW



SECTION A-A

HEIGHT	WEIGHT (LBS)	SPECIFICATIONS
12"	1,309	Concrete: 4000PSI @ 28 days
24"	2,700	Reinforcement: Bar ASTM A615 GR60 WWR ASTM A185/A497 GR65
36"	4,000	
48"	5,300	Structure is designed to meet HS 20-44 loading requirements
60"	6,600	
72"	7,900	Frame and Grates Available; Heavy Duty & Bicycle Safe

