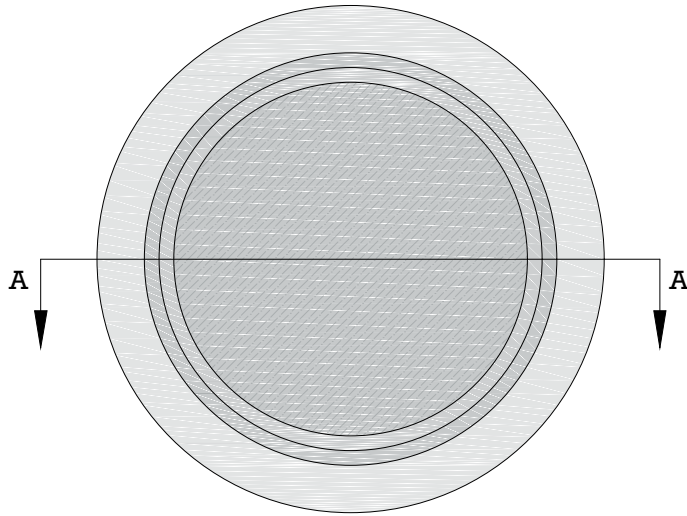
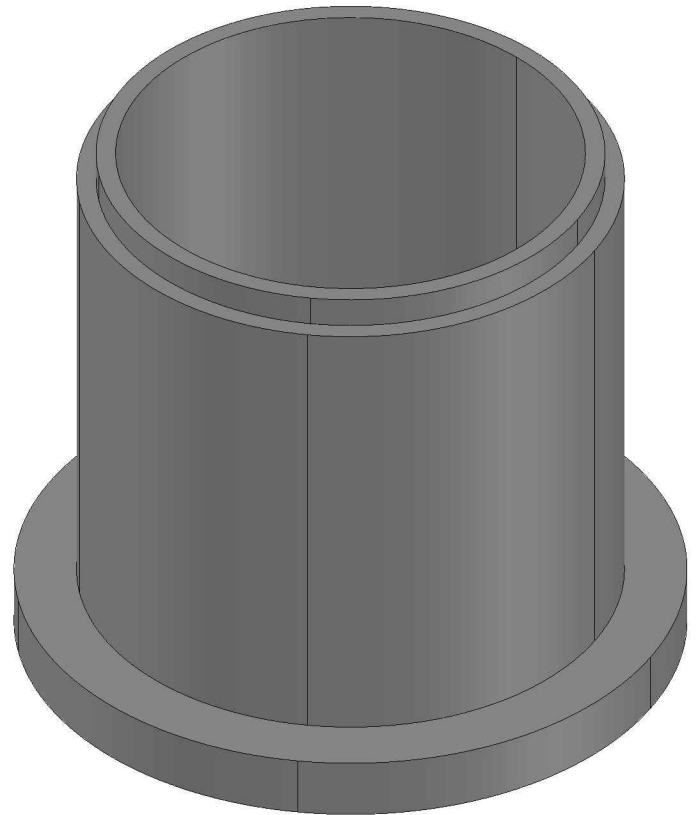


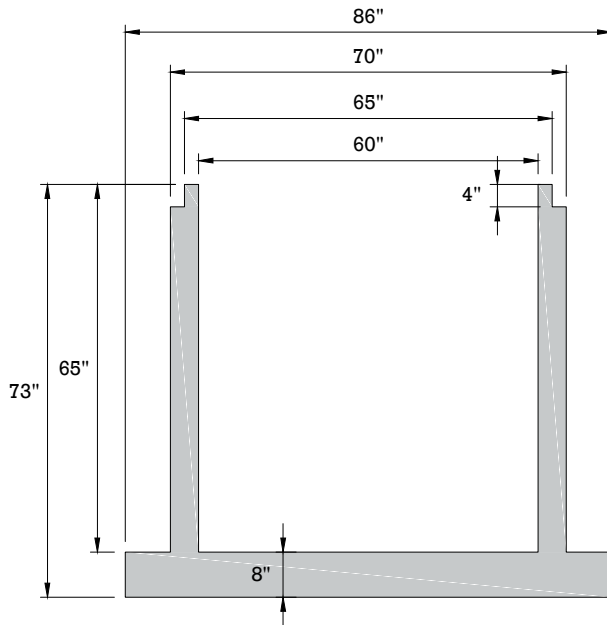
60" MANHOLE BASE SECTION



TOP VIEW



ISOMETRIC VIEW



SECTION A-A

| HEIGHT | WEIGHT (LBS) | SPECIFICATIONS |
|--------|--------------|---|
| 24" | 4,850 | Concrete: 4000PSI @ 28 days |
| 36" | 6,000 | Reinforcement: Bar ASTM A615 GR60 WWR ASTM A185/A497 GR65 |
| 48" | 7,150 | |
| 60" | 8,325 | Structure is designed to meet HS 20-44 loading requirements |
| | | Frame and Grates Available; Heavy Duty & Bicycle Safe |
| | | |

