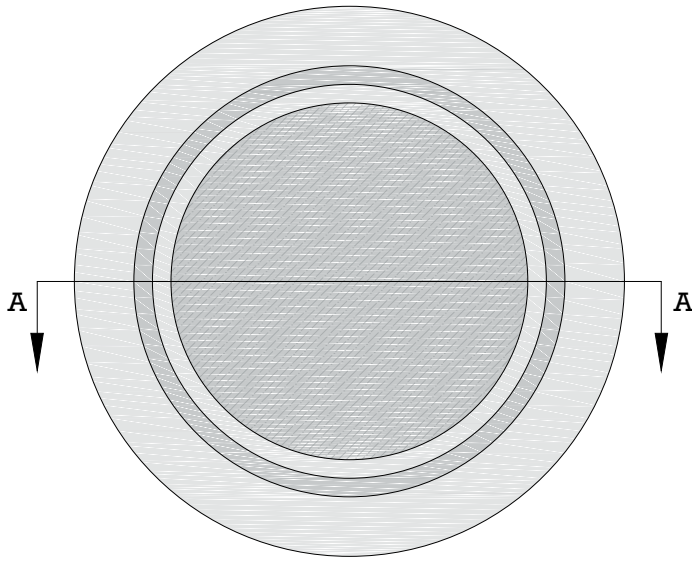
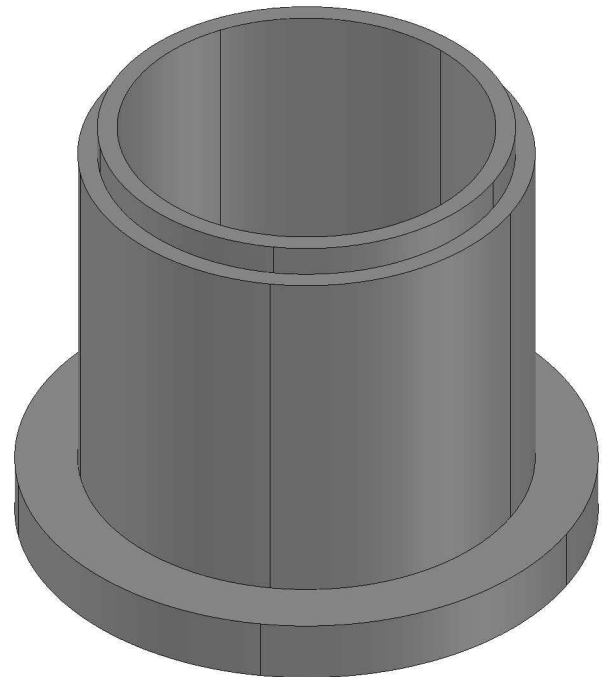


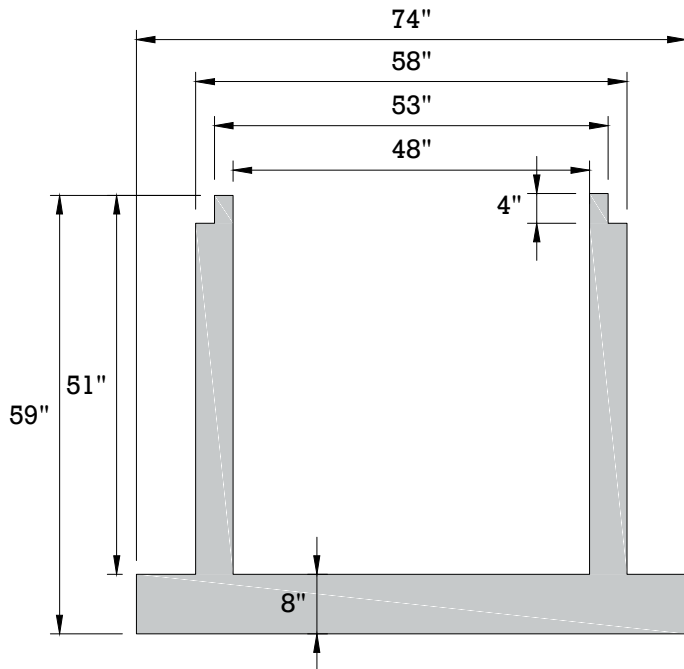
48" MANHOLE BASE SECTION



TOP VIEW



ISOMETRIC VIEW

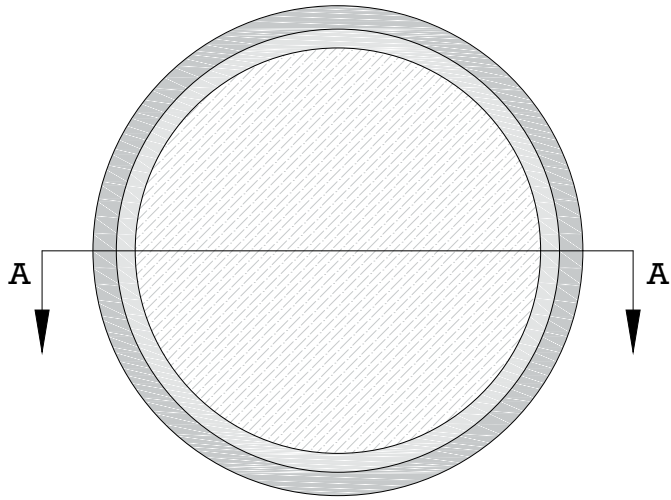


SECTION A-A

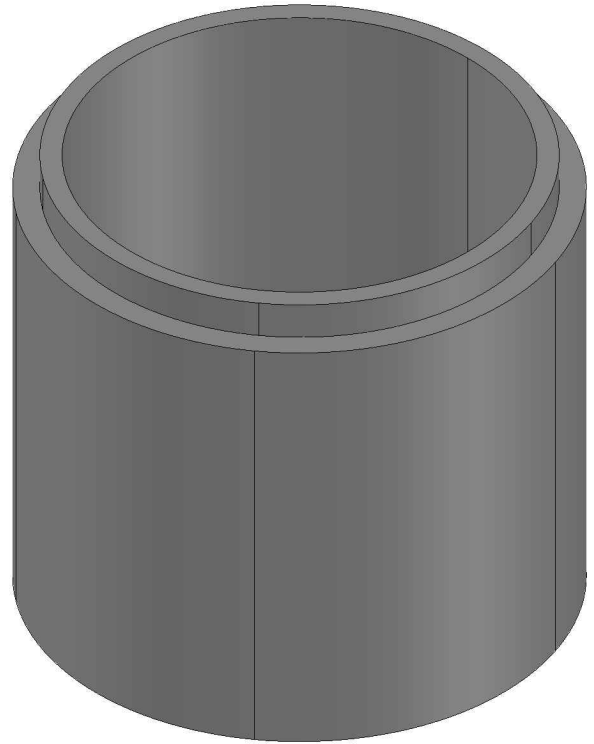
HEIGHT	WEIGHT (LBS)	SPECIFICATIONS
24"	4,850	Concrete: 4000PSI @ 28 days
36"	3,875	Reinforcement:
48"	4,850	Bar ASTM A615 GR60 WWR ASTM A185/A497 GR65
		Structure is designed to meet HS 20-44 loading requirements
		Frame and Grates Available; Heavy Duty & Bicycle Safe



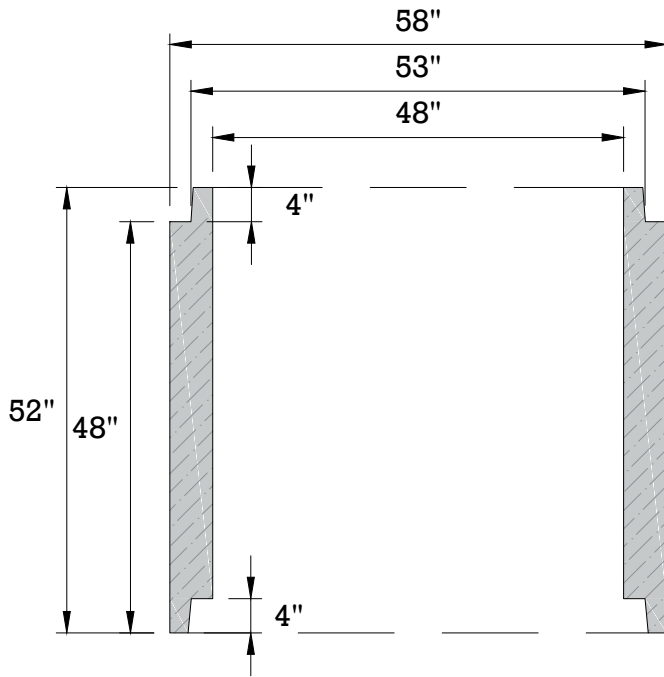
48" MANHOLE RING SECTION



TOP VIEW



ISOMETRIC VIEW

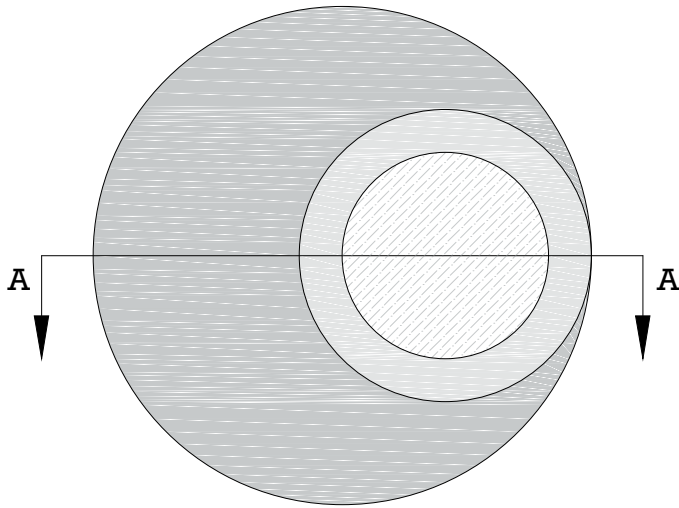


SECTION A-A

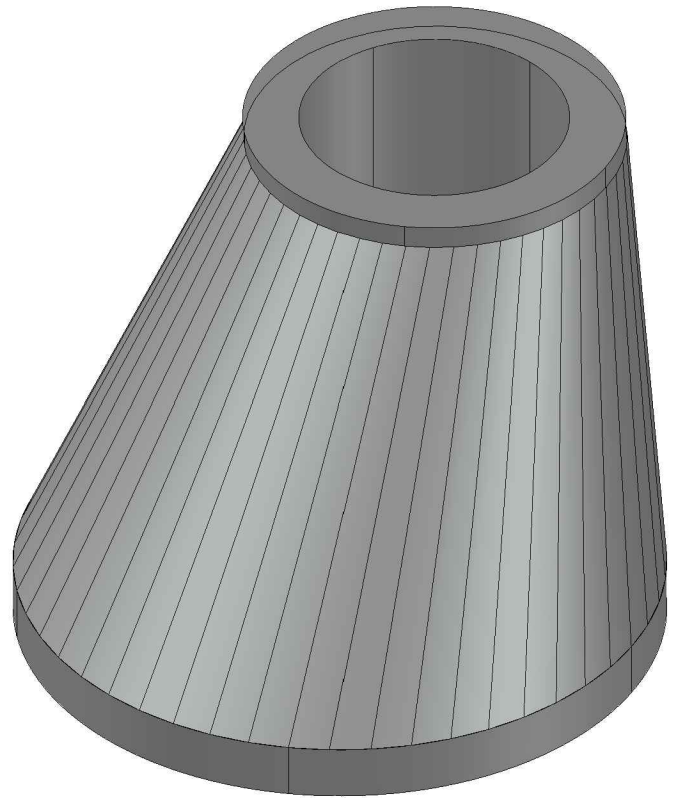
HEIGHT	WEIGHT (LBS)	SPECIFICATIONS
12"	450	Concrete: 4000PSI @ 28 days
24"	1,175	Reinforcement: Bar ASTM A615 GR60 WWR ASTM A185/A497 GR65 Structure is designed to meet HS 20-44 loading requirements
36"	1,950	
48"	3,875	



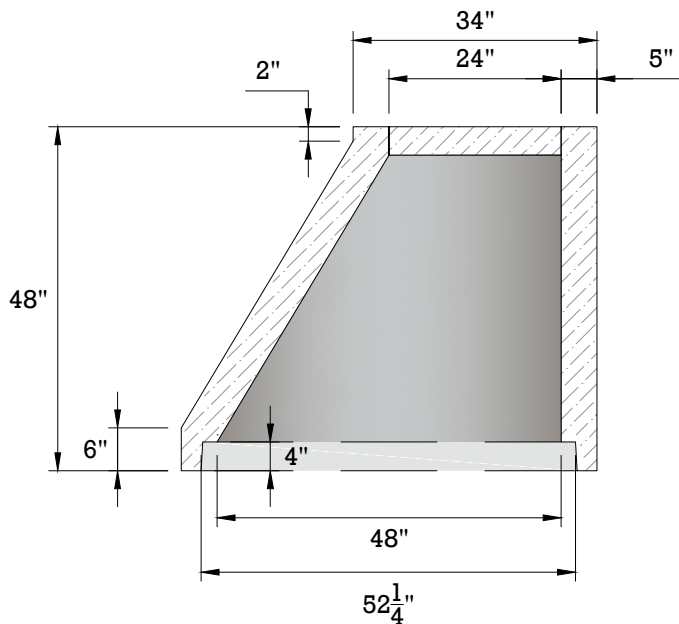
48" MANHOLE CONE



TOP VIEW



ISOMETRIC VIEW

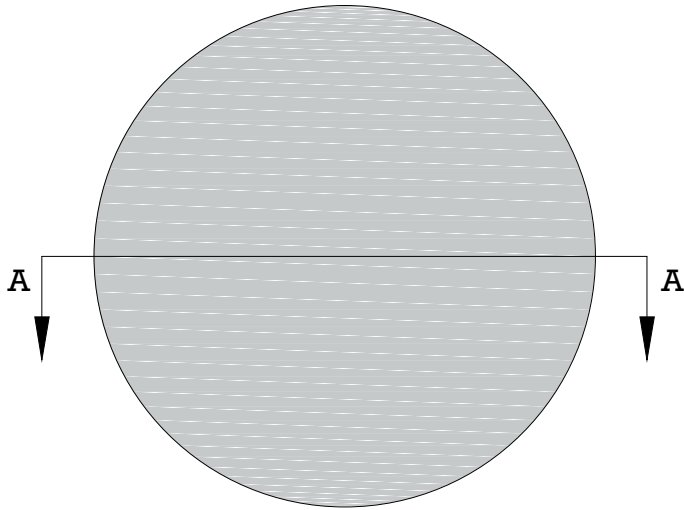


SECTION A-A

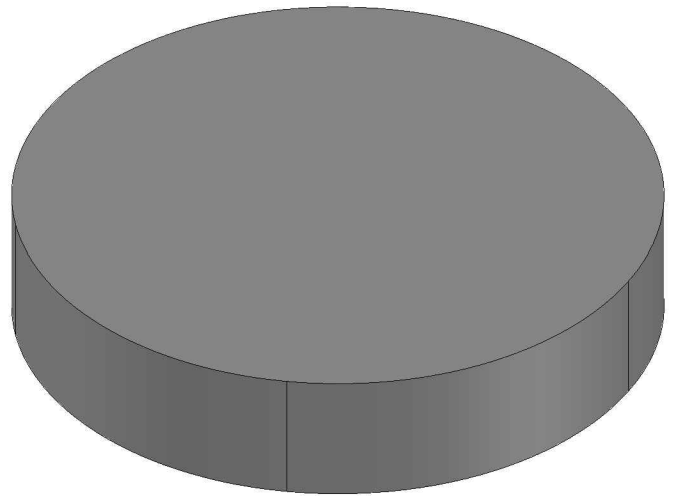
HEIGHT	WEIGHT (LBS)	SPECIFICATIONS
36"	1,950	Concrete: 4000PSI @ 28 days
48"	2,900	Reinforcement: Bar ASTM A615 GR60 WWR ASTM A185/A497 GR65
		Structure is designed to meet HS 20-44 loading requirements
		Frame and Grates Available; Heavy Duty & Bicycle Safe



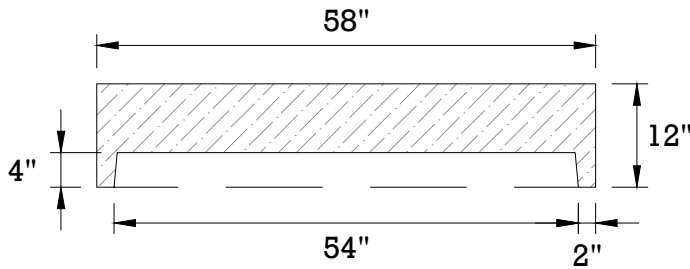
48" MANHOLE COVER



TOP VIEW



ISOMETRIC VIEW

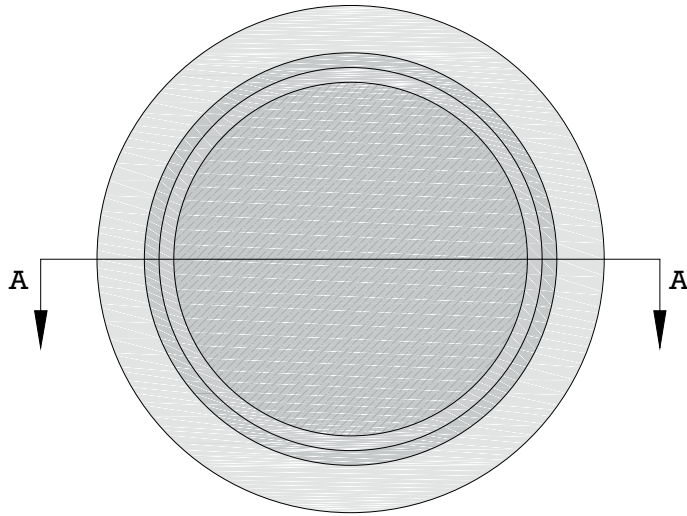


SECTION A-A

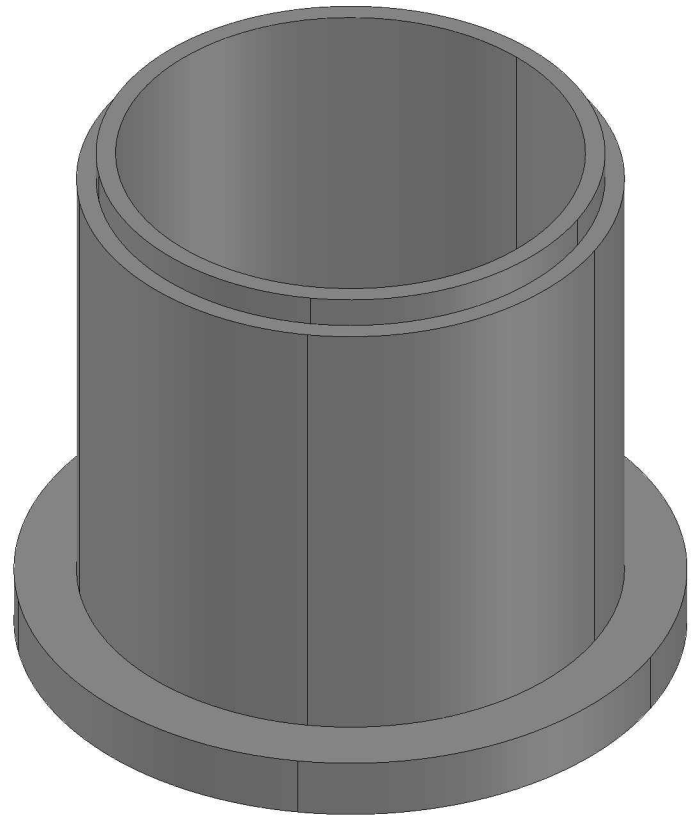
	WEIGHT (LBS)	SPECIFICATIONS
	120	Concrete: 4000PSI @ 28 days
		Reinforcement: Bar ASTM A615 GR60 WWR ASTM A185/A497 GR65
		Structure is designed to meet HS 20-44 loading requirements



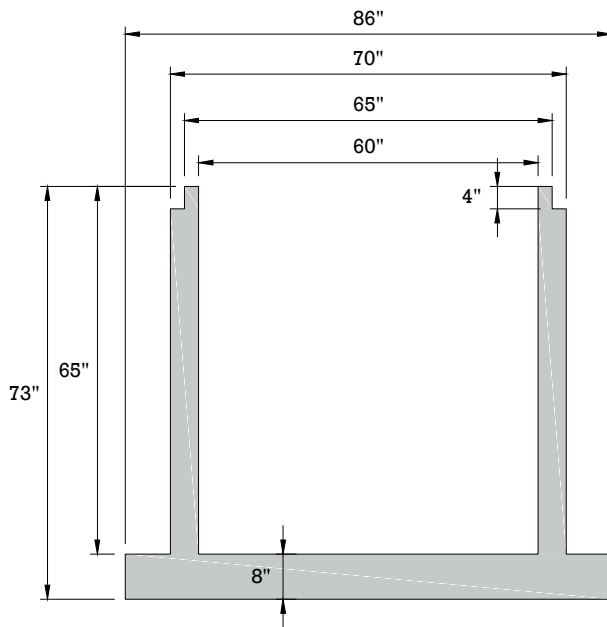
60" MANHOLE BASE SECTION



TOP VIEW



ISOMETRIC VIEW

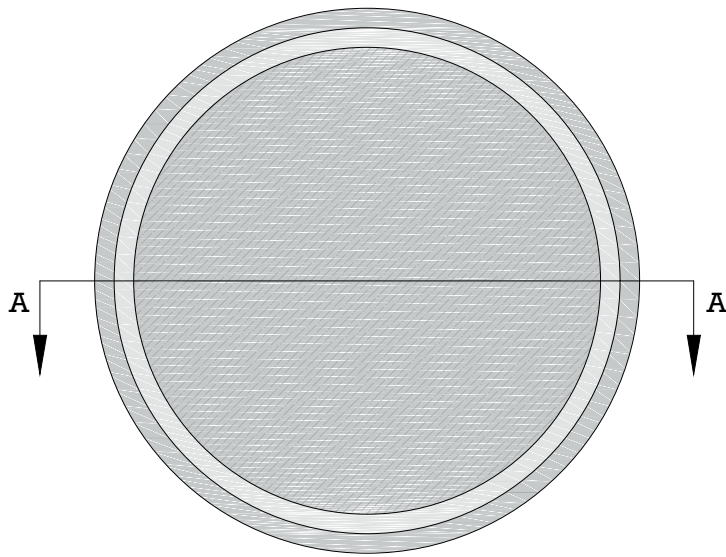


SECTION A-A

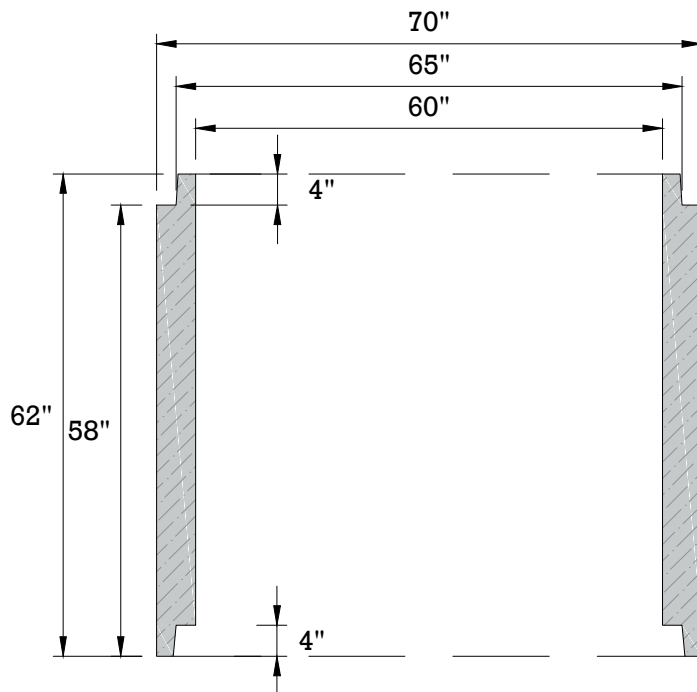
HEIGHT	WEIGHT (LBS)	SPECIFICATIONS
24"	4,850	Concrete: 4000PSI @ 28 days
36"	6,000	Reinforcement:
48"	7,150	Bar ASTM A615 GR60
60"	8,325	WWR ASTM A185/A497 GR65
		Structure is designed to meet HS 20-44 loading requirements
		Frame and Grates Available; Heavy Duty & Bicycle Safe



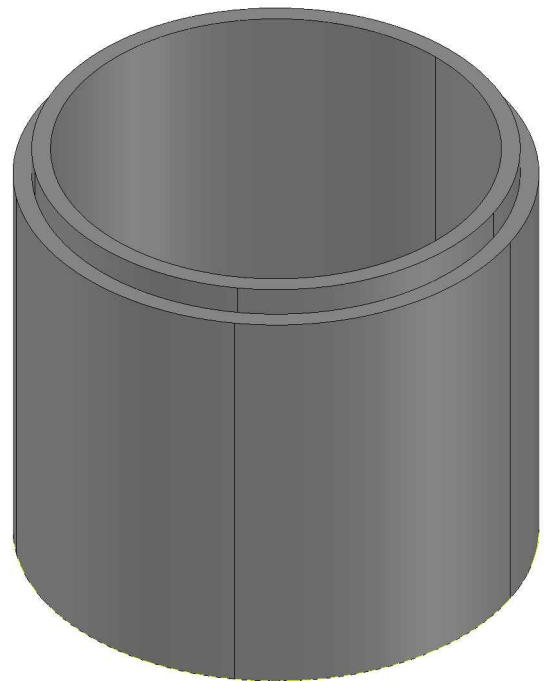
60" MANHOLE RING SECTION



TOP VIEW



SECTION A-A

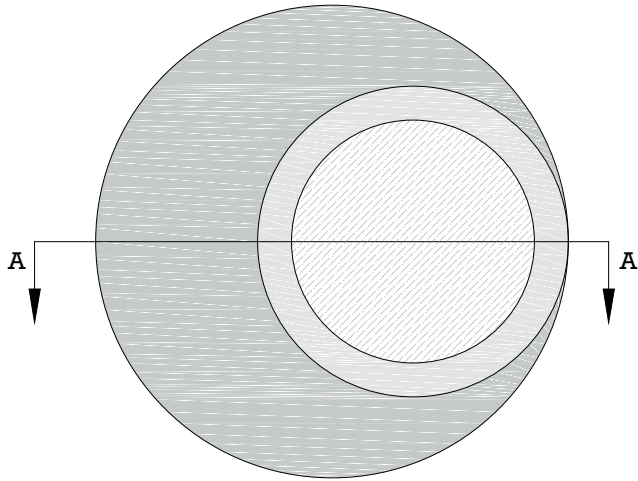


ISOMETRIC VIEW

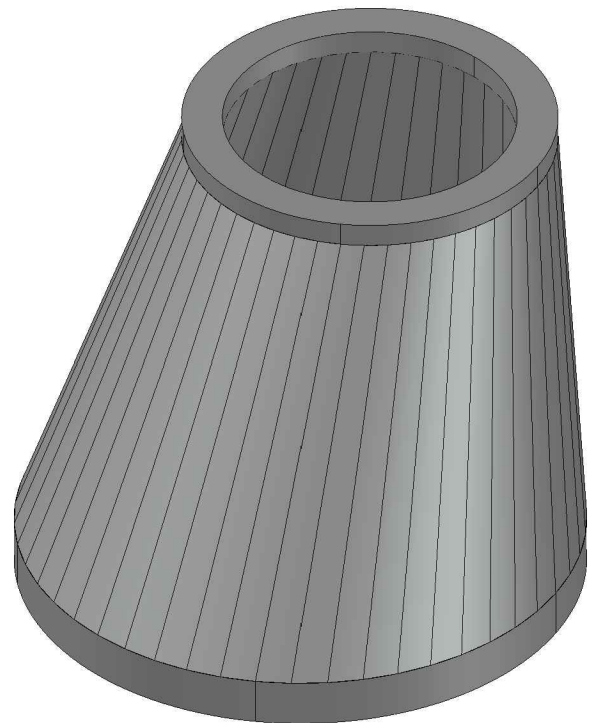
HEIGHT	WEIGHT (LBS)	SPECIFICATIONS
12"	1,550	Concrete: 4000PSI @ 28 days
24"	2,725	Reinforcement: Bar ASTM A615 GR60 WWR ASTM A185/A497 GR65
36"	4,250	
48"	5,600	Structure is designed to meet HS 20-44 loading requirements
60"	6,950	
		Frame and Grates Available; Heavy Duty & Bicycle Safe



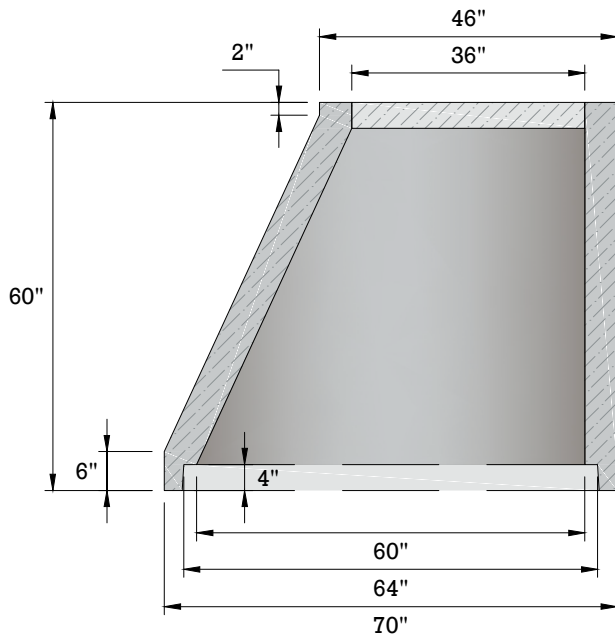
60" MANHOLE CONE



TOP VIEW



ISOMETRIC VIEW

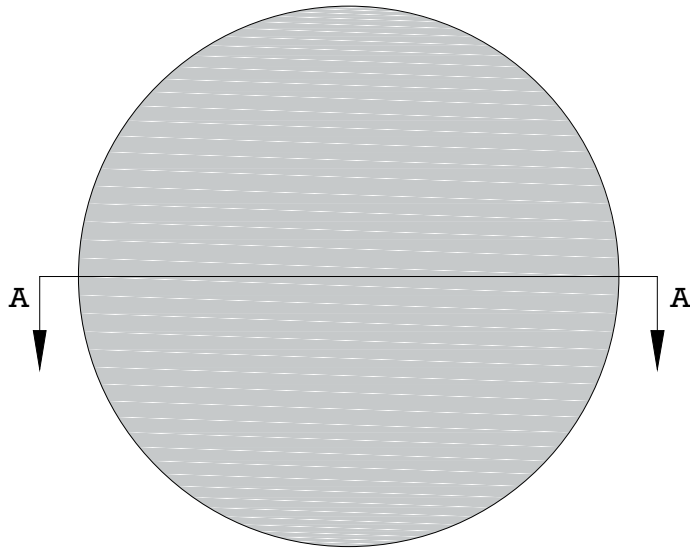


SECTION A-A

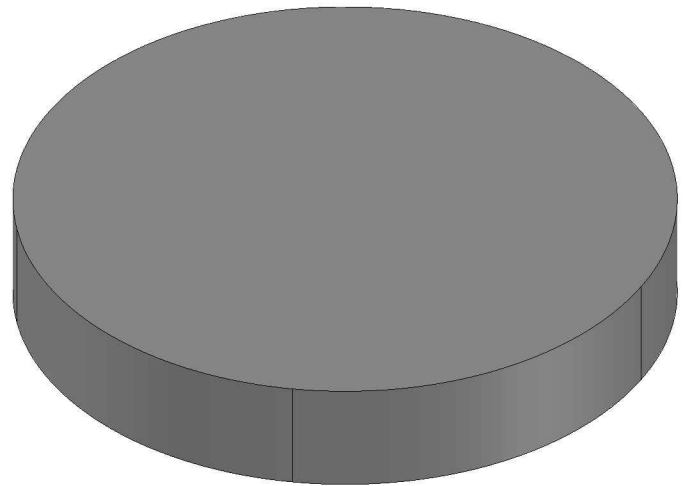
HEIGHT	WEIGHT (LBS)	SPECIFICATIONS
36"	2,900	Concrete: 4000PSI @ 28 days
48"	3,875	Reinforcement: Bar ASTM A615 GR60 WWR ASTM A185/A497 GR65
		Structure is designed to meet HS 20-44 loading requirements
		Frame and Grates Available; Heavy Duty & Bicycle Safe



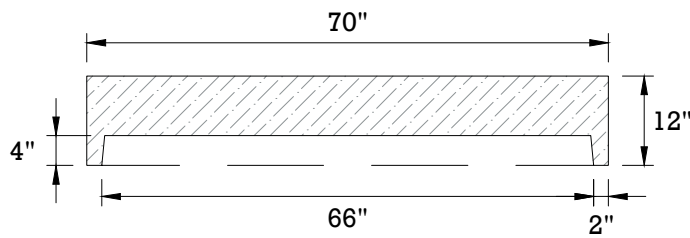
60" MANHOLE COVER



TOP VIEW



ISOMETRIC VIEW

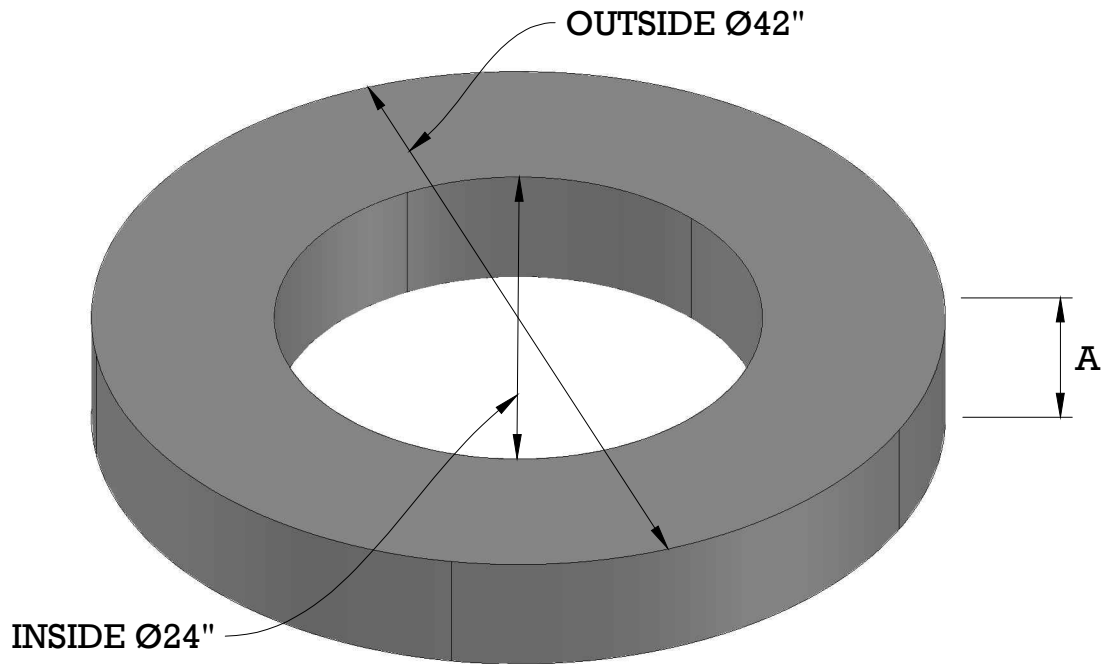


SECTION A-A

	WEIGHT (LBS)	SPECIFICATIONS
	1,550	Concrete: 4000PSI @ 28 days
		Reinforcement: Bar ASTM A615 GR60 WWR ASTM A185/A497 GR65
		Structure is designed to meet HS 20-44 loading requirements
		Frame and Grates Available; Heavy Duty & Bicycle Safe
		Weight:
Copyright 2017 EcoStrategies Engineering & Surveying, PLLC		Drawn by P. Beightol



RISER RING EXTENSION



ISOMETRIC VIEW

HEIGHT	WEIGHT (LBS)	SPECIFICATIONS
2"	120	Concrete: 4000PSI @ 28 days
3"	200	Reinforcement: Bar ASTM A615 GR60 WWR ASTM A185/A497 GR65
4"	250	
6"	525	Structure is designed to meet HS 20-44 loading requirements
		Frame and Grates Available; Heavy Duty & Bicycle Safe

