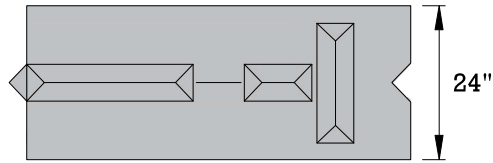
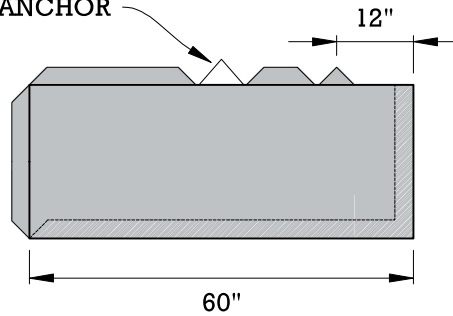


# BARRIER BLOCK 2'X2'X5' CORNER

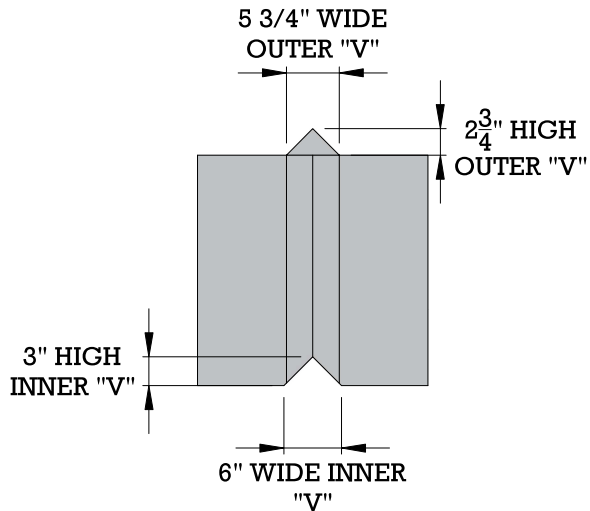


**TOP VIEW**

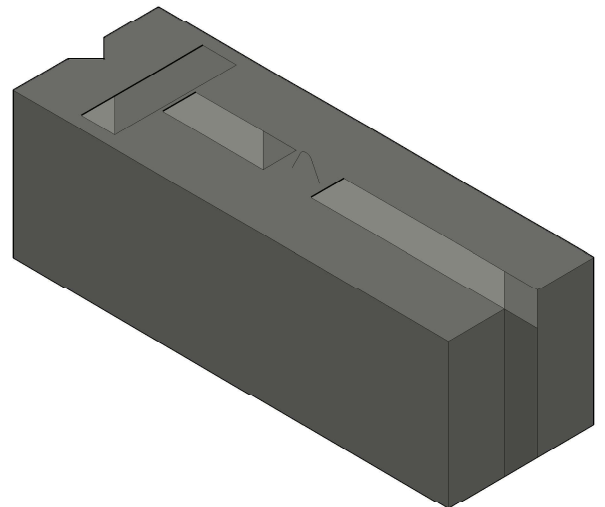
THIS PORTION OF BLOCK  
VOIDED OUT FOR CABLE  
OR U-ANCHOR



**FRONT VIEW**



**END VIEW**



**ISOMETRIC VIEW**

**NOTES:**

**Weight: 2,550 Lbs.**

**Volume: 24.0 ft<sup>3</sup>**

**Faces Available: Plain, Slate & Random Stack Stone**

**-ORIGINAL DESIGN AND DIMENSIONS BASED OFF OF WORLD BLOCK INC.**

