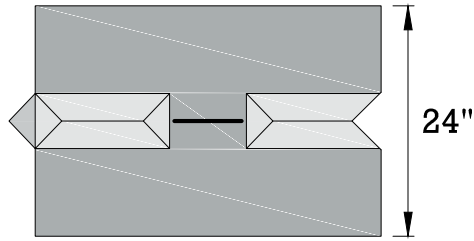
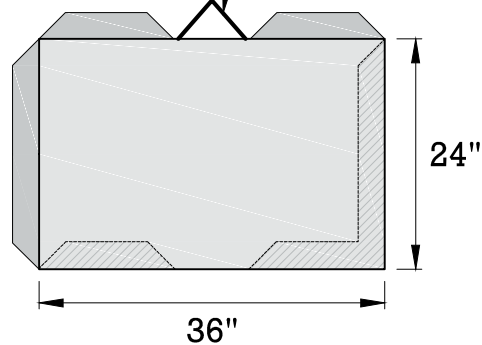


BARRIER BLOCK 2'X2'X3' STRAIGHT

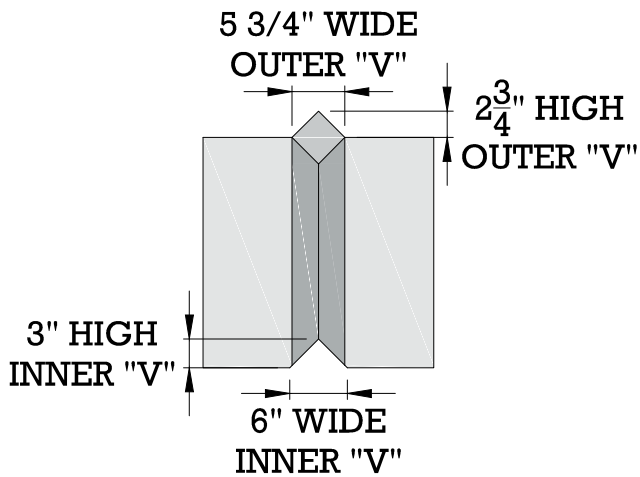


TOP VIEW

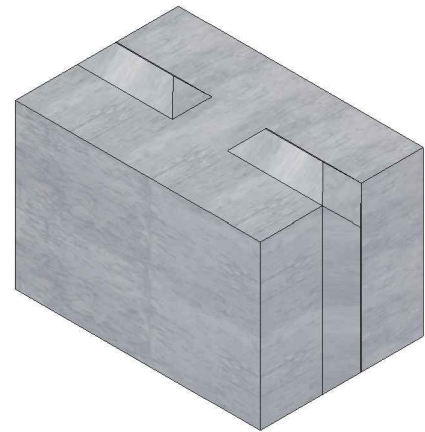
THIS PORTION OF BLOCK
VOIDED OUT FOR CABLE
OR U-ANCHOR



FRONT VIEW



END VIEW



ISOMETRIC VIEW

NOTES:

Weight: 1,700 Lbs

Volume: 12.0 Ft³

Available Faces: Plain, Slate & Randon Stack Stone

-ORIGINAL DESIGN AND DIMENSIONS BASED OFF OF WORLD BLOCK INC.

