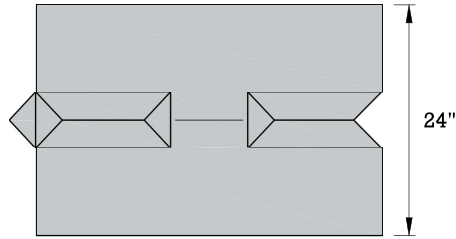
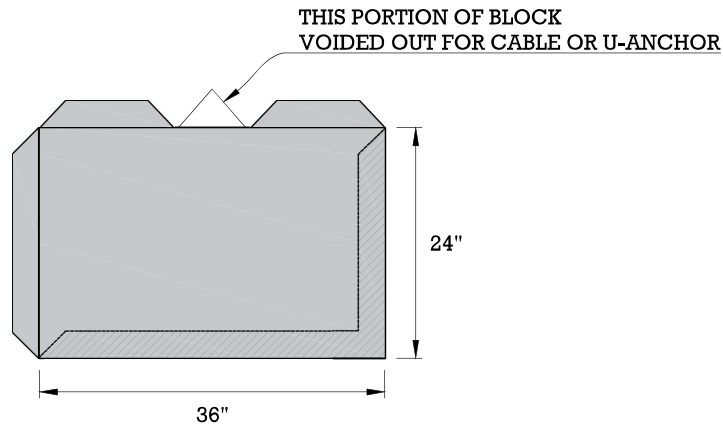


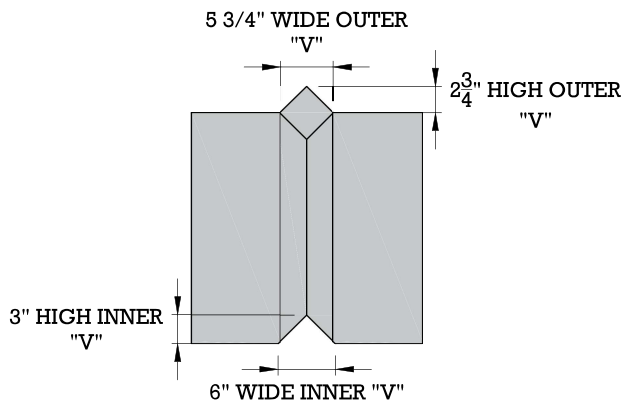
# BARRIER BLOCK 2'X2'X3' STRAIGHT



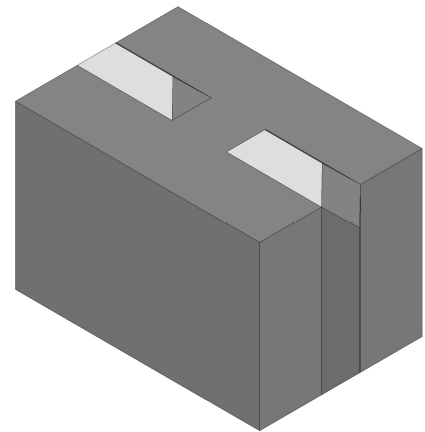
**TOP VIEW**



**FRONT VIEW**



**END VIEW**



**ISOMETRIC VIEW**

**NOTES:**

**Weight: 1,700 Lbs**

**Volume: 12.0 Ft<sup>3</sup>**

**Available Faces: Plain, Slate & Randon Stack Stone**

**-ORIGINAL DESIGN AND DIMENSIONS BASED OFF OF WORLD BLOCK INC.**

