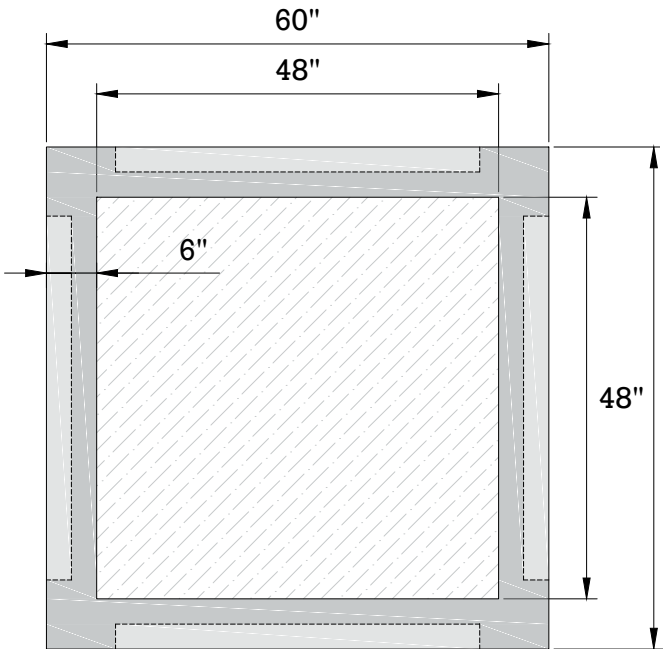
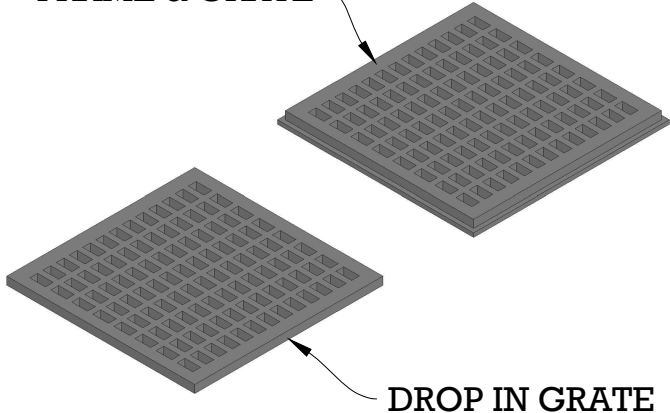


CATCH BASIN 4X4

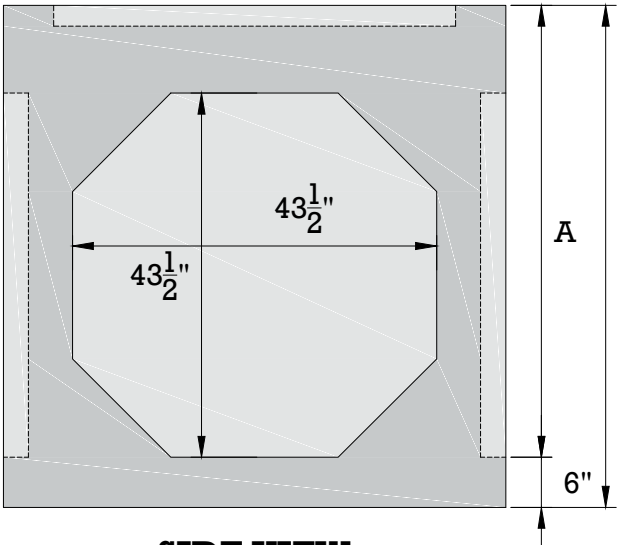


TOP VIEW

FRAME & GRATE

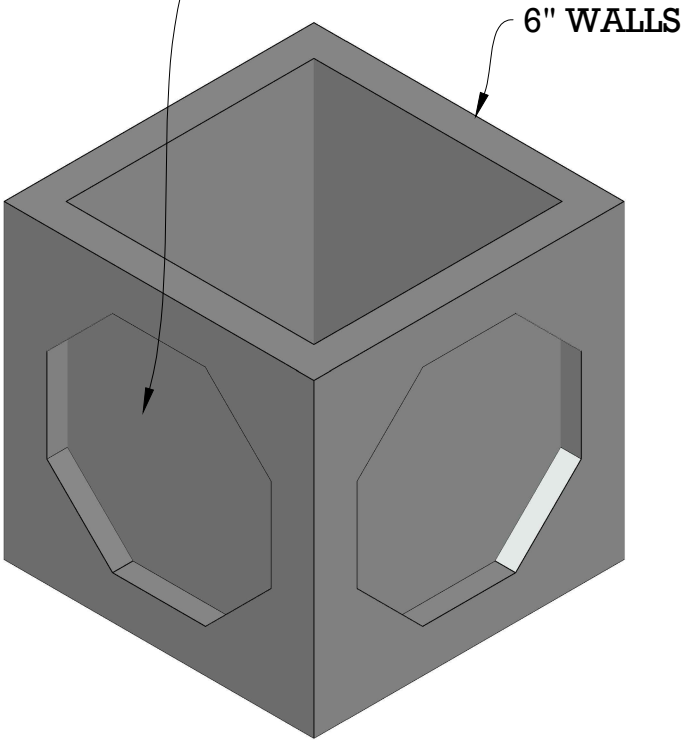


DROP IN GRATE



SIDE VIEW

43 1/2" DIA. KNOCKOUT ON SIDE WALLS



6" WALLS

ISOMETRIC VIEW

SIZE	A	B	WEIGHT (LBS)	SPECIFICATIONS
4'x4'x4'	48"	54"	5,800	Concrete: 4000PSI @ 28 days
				Reinforcement: Bar ASTM A615 GR60 WWR ASTM A185/A497 GR65
				Structure is designed to meet HS 20-44 loading requirements
				Frame and Grates Available; Heavy Duty & Bicycle Safe
				Concrete Risers Available

