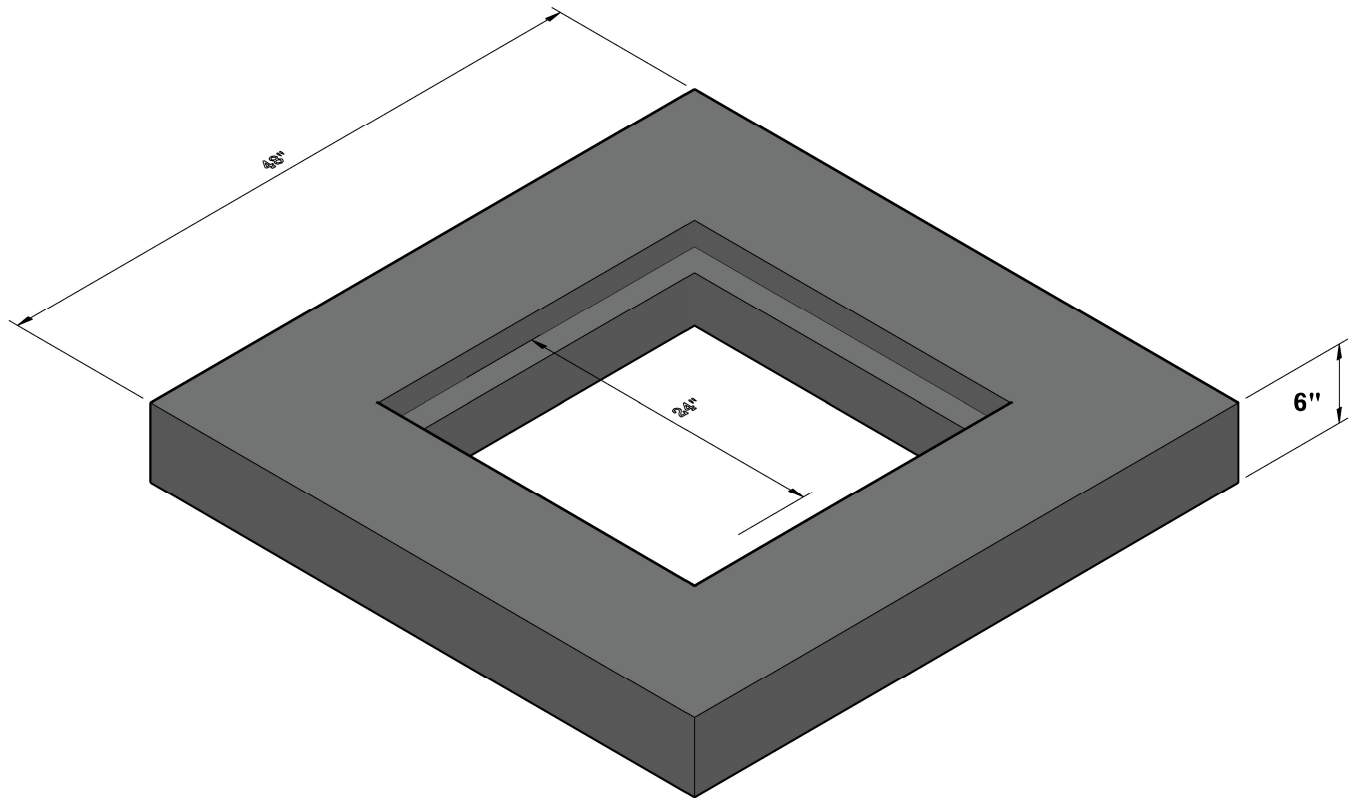


CATCH BASIN SLAB TOP 3X3



ISOMETRIC VIEW

			WEIGHT (LBS)	SPECIFICATIONS
			1,150	Concrete: 4000PSI @ 28 days
				Reinforcement: ASTM A615 GRADE 60 ASTM A185 GRADE 65
				Structure is designed to meet HS 20-44 loading requirements
				Frame and Grates Available; Heavy Duty & Bicycle Safe

