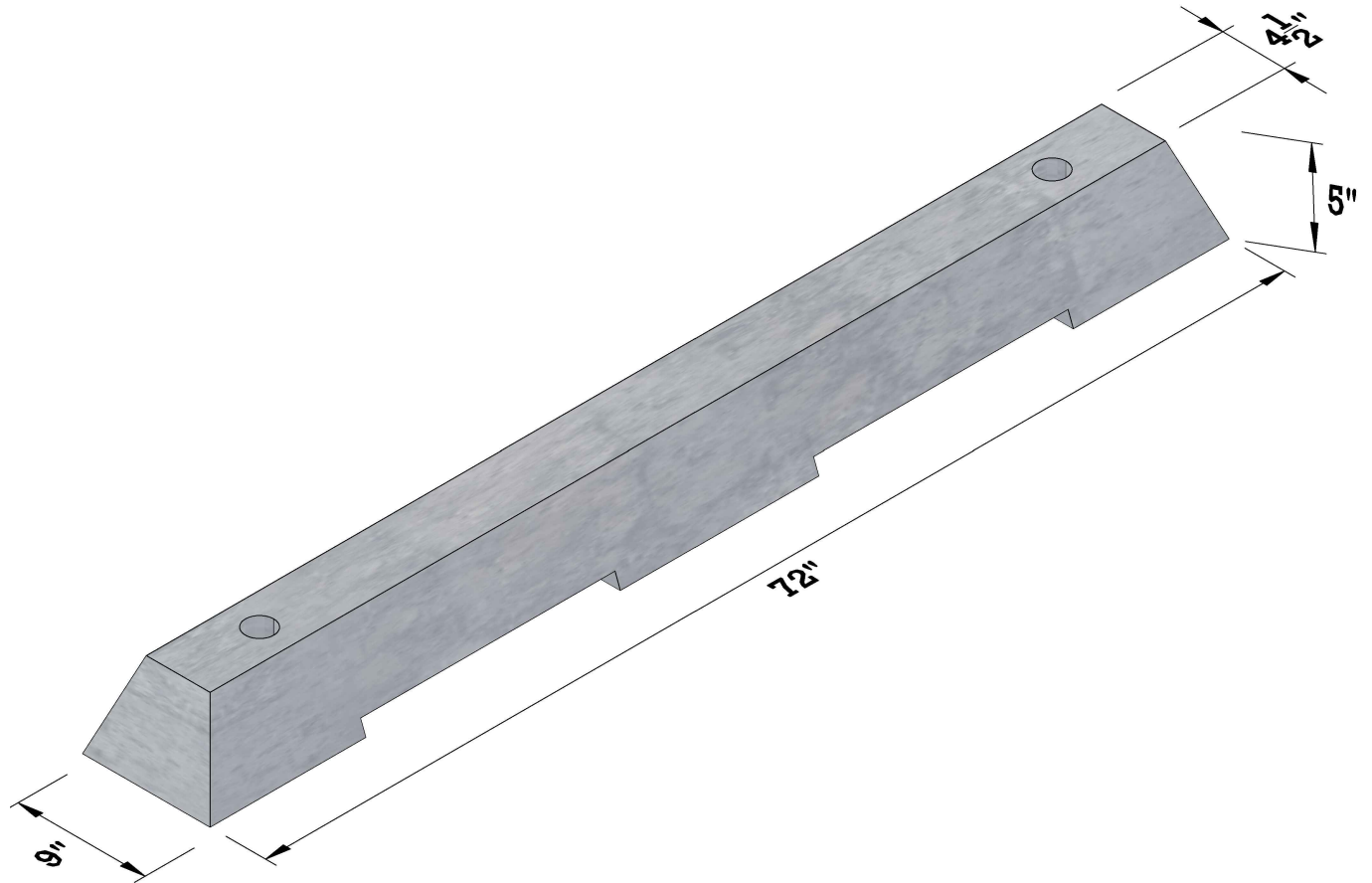


# PRECAST PARKING BARRIER WITH TRENCHES



	<b>WEIGHT (LBS)</b>	<b>SPECIFICATIONS</b>
	<b>200</b>	<b>Concrete: 4000PSI @ 28 days</b>
		<b>Reinforcement:</b>
		ASTM A615/A615M GRADE 60
		ASTM A1064/A1064M-16B



**JMI**  
**Jamestown Macdam, Inc.**  
[www.jamestownmacadam.com](http://www.jamestownmacadam.com)  
**716-665-4504**