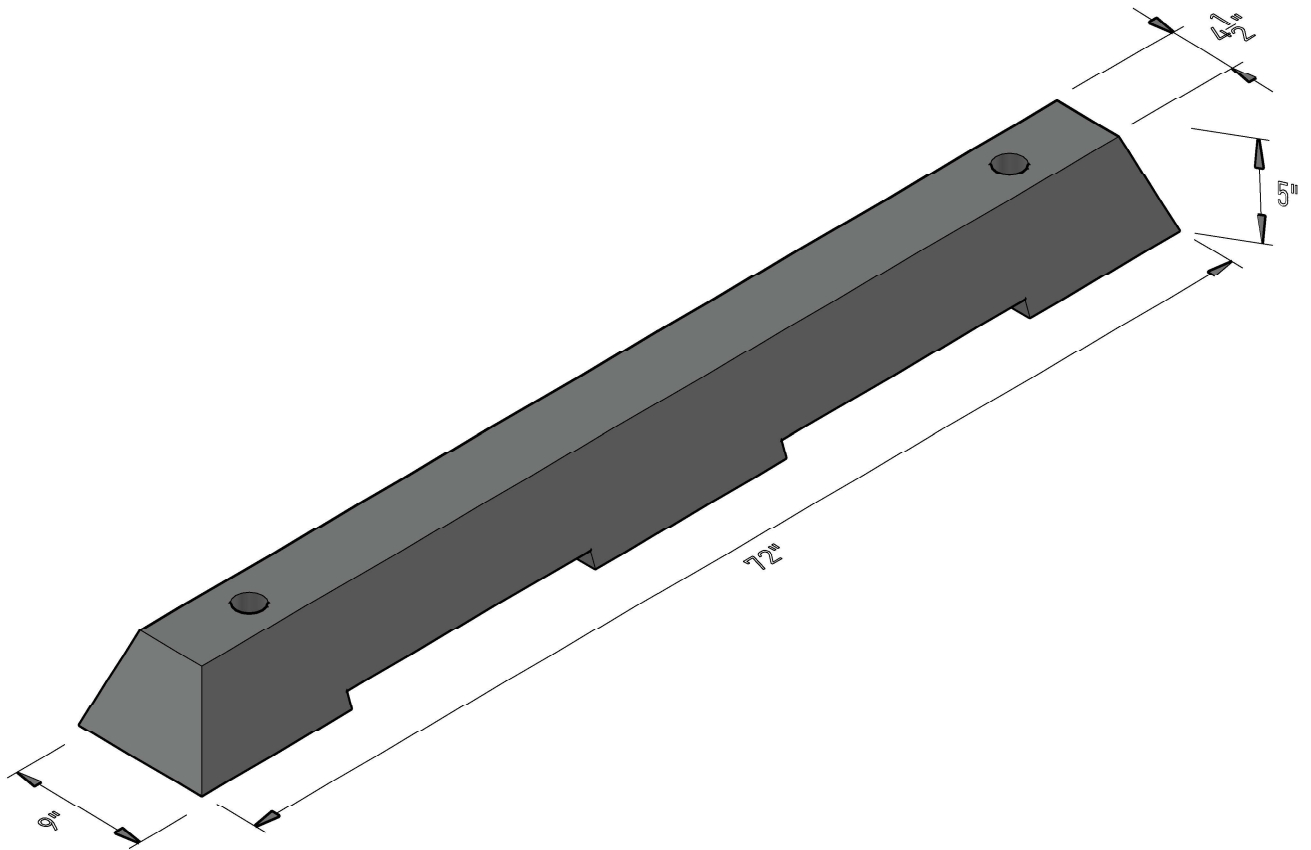


PRECAST PARKING BARRIER WITH TRENCHES



| | WEIGHT (LBS) | SPECIFICATIONS |
|--|--------------|-----------------------------|
| | 200 | Concrete: 4000PSI @ 28 days |
| | | Reinforcement: |
| | | ASTM A615/A615M GRADE 60 |
| | | ASTM A1064/A1064M-16B |
| | | |
| | | |
| | | |
| | | |



Jamestown Macadam, Inc.
www.jamestownmacadam.com
 716-665-4504