

# RHODE ISLAND FULL BLOCK 60"

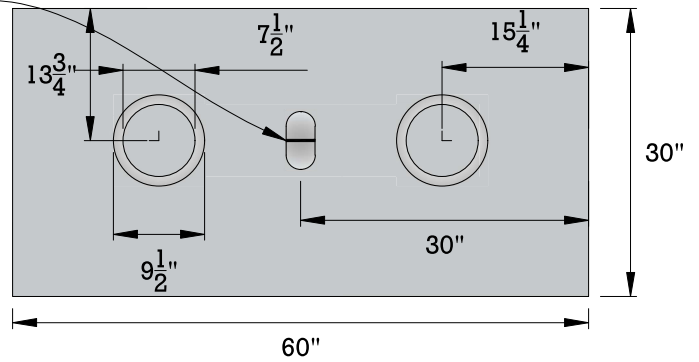


**CHISELED STONE**



**RANDOM STACK**

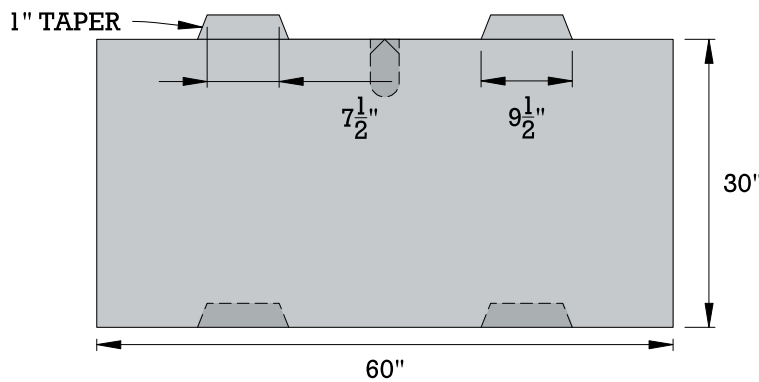
RECESSED  
REBAR HANDLE



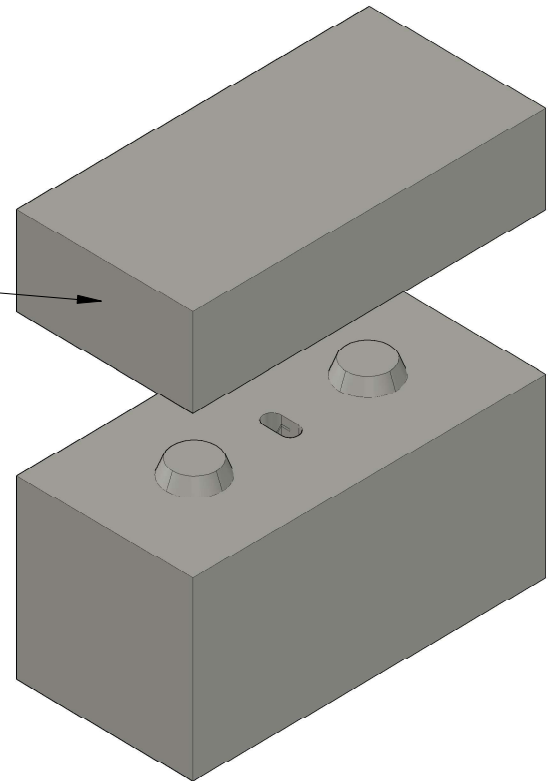
**TOP VIEW**

\* TWO FACE DESIGNS AVAILABLE

FULL CAP - 5' w x 15" h x 2.5' deep



**SIDE VIEW**



**ISOMETRIC VIEW**

**NOTES:**

Weight: 4,450 Lbs.

ORIGINAL DESIGN AND DIMENSIONS BASED OFF OF WORLD BLOCK INC.  
TWO FACE TYPES AVAILABLE: PLAIN & STONE

