

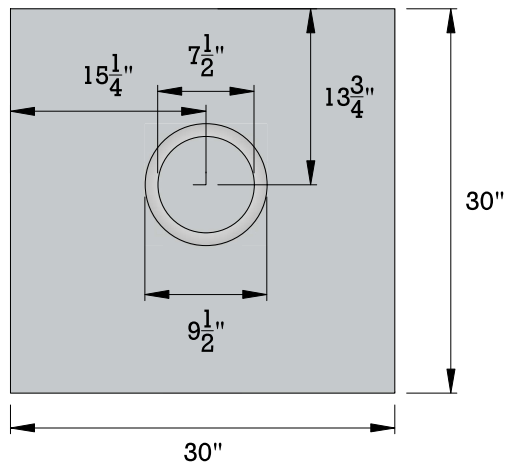
RHODE ISLAND HALF BLOCK 30"



CHISELED STONE



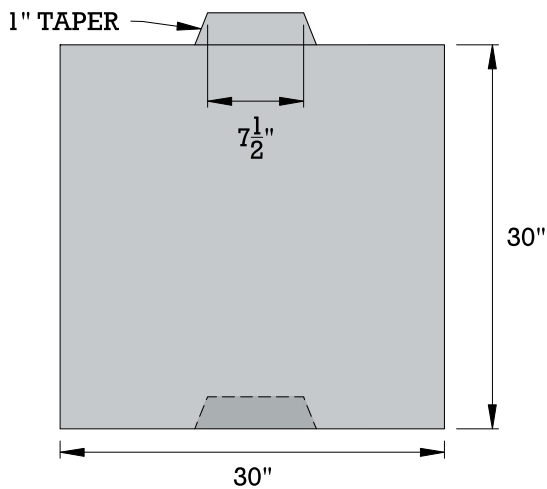
RANDOM STACK



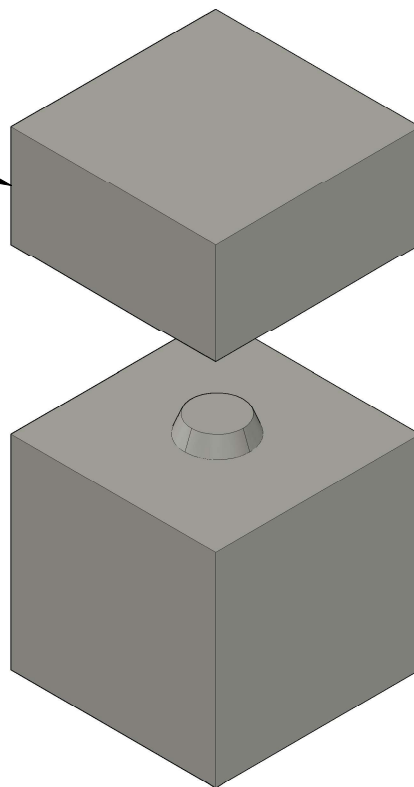
TOP VIEW

* TWO FACE DESIGNS AVAILABLE

HALF CAP - 2.5' w x 15" h x 2.5' deep



SIDE VIEW



ISOMETRIC VIEW

NOTES:

Weight: 1,950 Lbs.

ORIGINAL DESIGN AND DIMENSIONS BASED OFF OF WORLD BLOCK INC.
TWO FACE TYPES AVAILABLE: PLAIN & STONE

