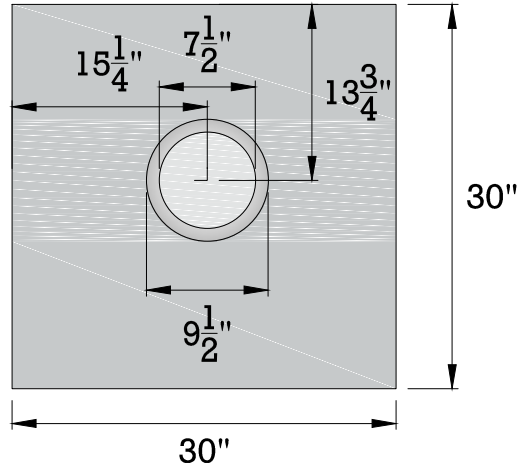
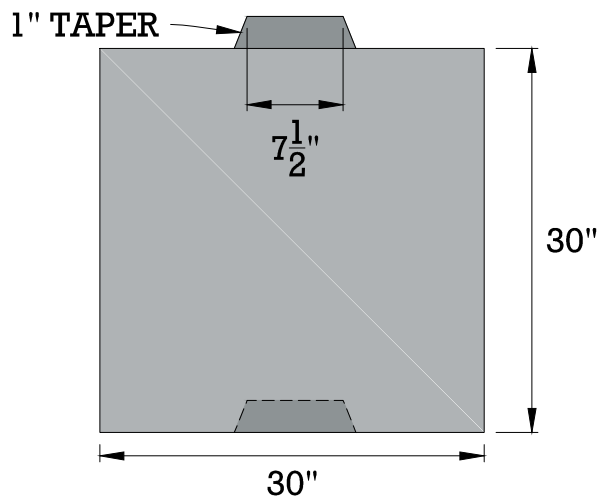


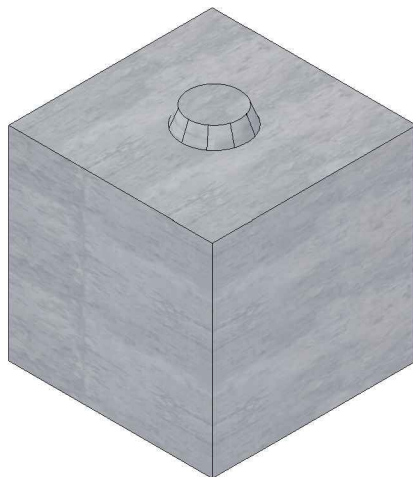
# RHODE ISLAND HALF BLOCK 30"



**TOP VIEW**



**SIDE VIEW**



**NOTES:**

**Weight: 1,950 Lbs.**

**ORIGINAL DESIGN AND DIMENSIONS BASED OFF OF WORLD BLOCK INC.  
TWO FACE TYPES AVAILABLE: PLAIN & STONE**

