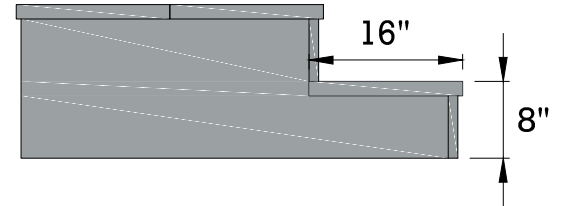
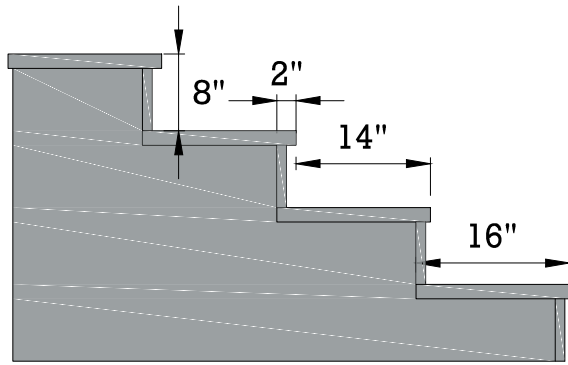
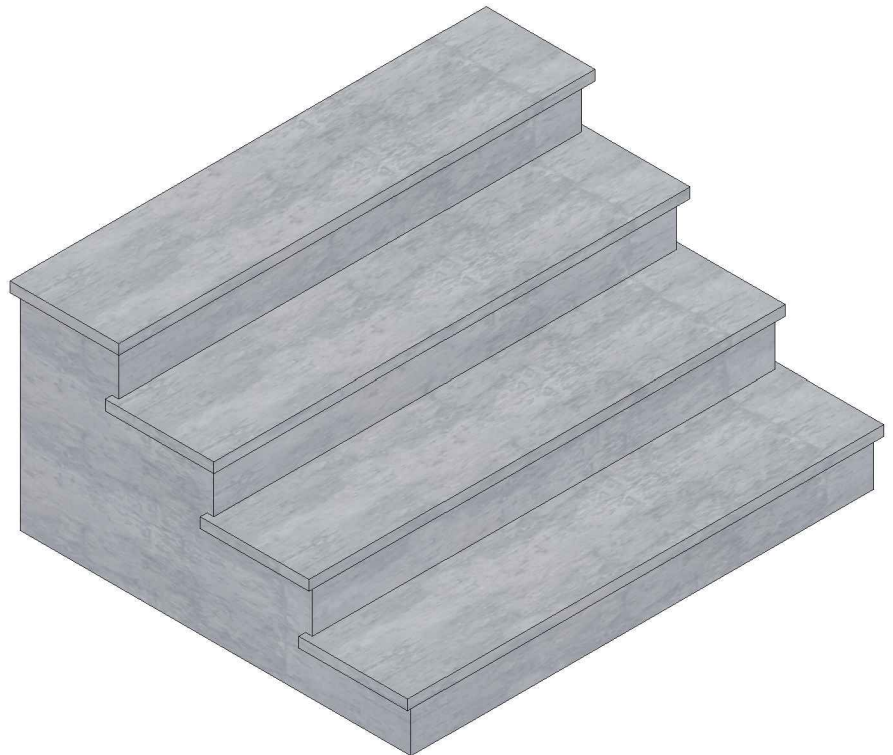


MODULAR STEP



SIDE VIEW

CODE	DESCRIPTION	WEIGHT (LBS.)
STEP	1STEP SIDE	50
STEP	2 STEP SIDE	400
STEP	2' WIDE DECK	250
STEP	2' WIDE TREAD	400
STEP	3 STEP SIDE	700
STEP	3' WIDE DECK	400
STEP	3' WIDE TREAD	625
STEP	4 STEP SIDE	975
STEP	4' WIDE DECK	550
STEP	4' WIDE TREAD	850
STEP	5 STEP SIDE	1200
STEP	5' WIDE DECK	700
STEP	5' WIDE TREAD	1100
STEP	6 STEP SIDE	1525
STEP	6' WIDE DECK	850
STEP	6' WIDE TREAD	1325



ISOMETRIC VIEW

TREAD WIDTH	DECK WIDTH	NOTES:
3'	2'	Maximum number of steps is 6 high.
4'	3'	Maximum number of decking is 5 deck with 1 step.
5'	4'	Maximum combination of steps with decking is 6 i.e. 2 steps + 4 deck
6'	5'	When ordering a Modular Step system please keep in mind the following:
EXTRA SIDE PIECE	6'	-Steps are at an 8" Rise & they are 16" total depth with only 14" exposed to step (2" overlap)

