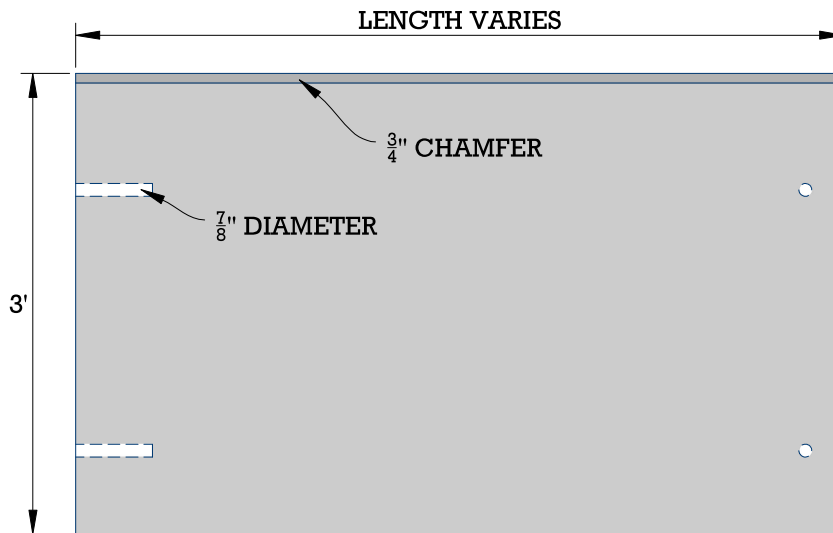
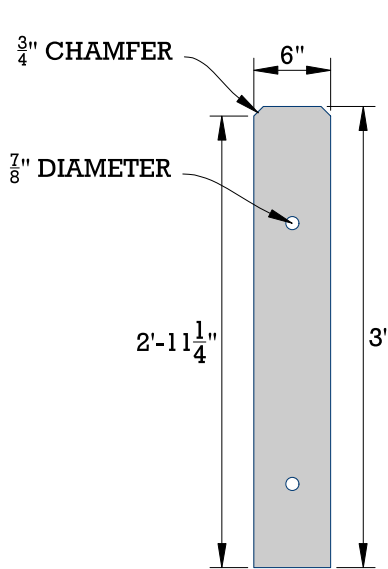


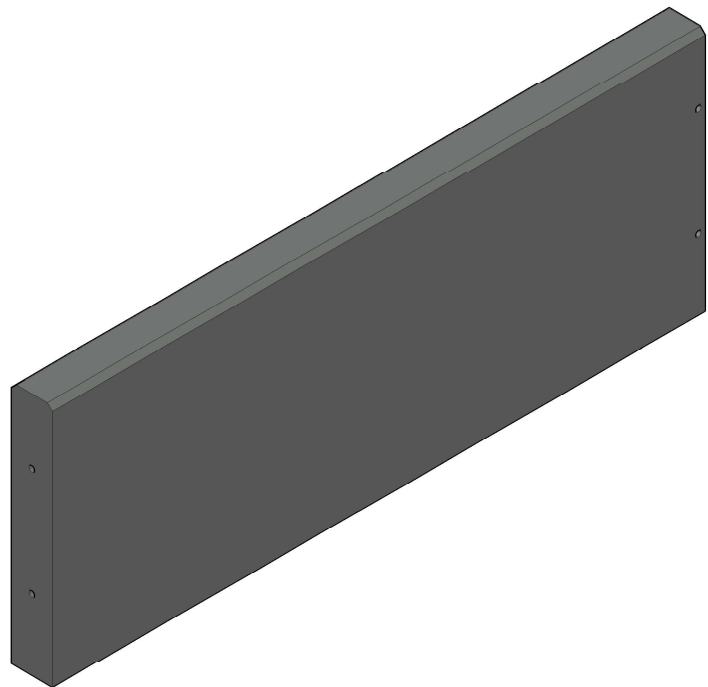
# TRANSFORMER/SWITCH PAD CURBING




**SIDE VIEW**



**FRONT VIEW**



**ISOMETRIC VIEW**

	<b>WEIGHT (LBS)</b>	<b>SPECIFICATIONS</b>	 <b>Jamestown Macadam, Inc.</b> <a href="http://www.jamestownmacadam.com">www.jamestownmacadam.com</a> <b>716-665-4504</b>
		Concrete: 4000PSI @ 28 days	
		Reinforcement: ASTM A615/A615M GRADE 60 ASTM A1064/A1064M-16B	
		<ul style="list-style-type: none"> <li>• The tank is a monolithic pour (no mid seams).</li> <li>• Top Slab is sealed with prostick mastic.</li> <li>• The tank is designed to meet HS 20-44 loading requirements.</li> <li>• Reinforced lid - has optional PA inspection port.</li> <li>• Reinforced risers are available.</li> <li>• 3 optional inlets and 1 outlet location.</li> </ul>	