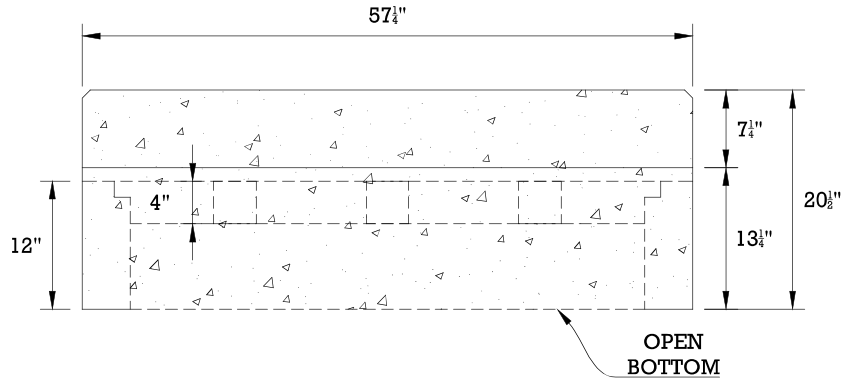
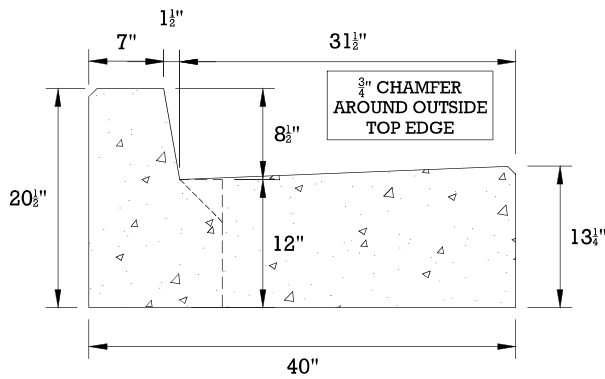


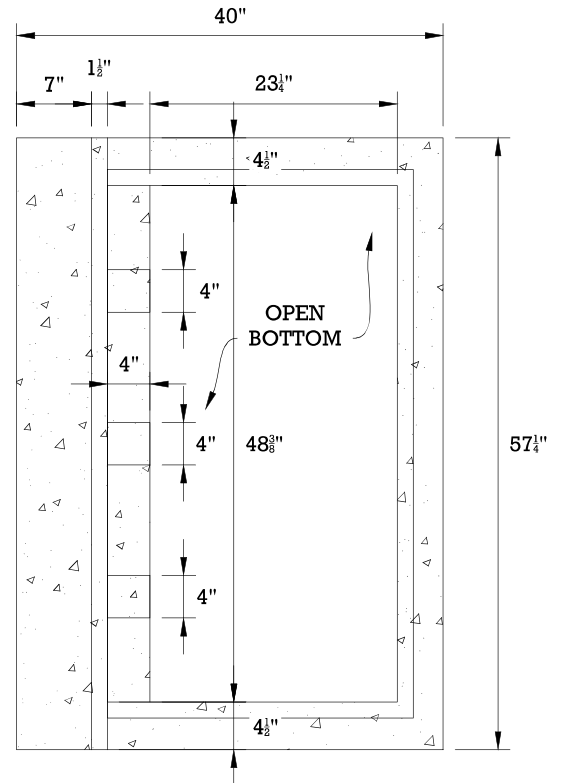
TYPE C INLET



FRONT VIEW



SIDE VIEW



TOP VIEW

		WEIGHT (LBS)	SPECIFICATIONS
		1,200	Concrete: 4000PSI @ 28 days
			Reinforcement: Bar ASTM A615 GR60 WWR ASTM A185/A497 GR65
			Structure is designed to meet HS 20-44 loading requirements
			Frame and Grates Available; Heavy Duty & Bicycle Safe

