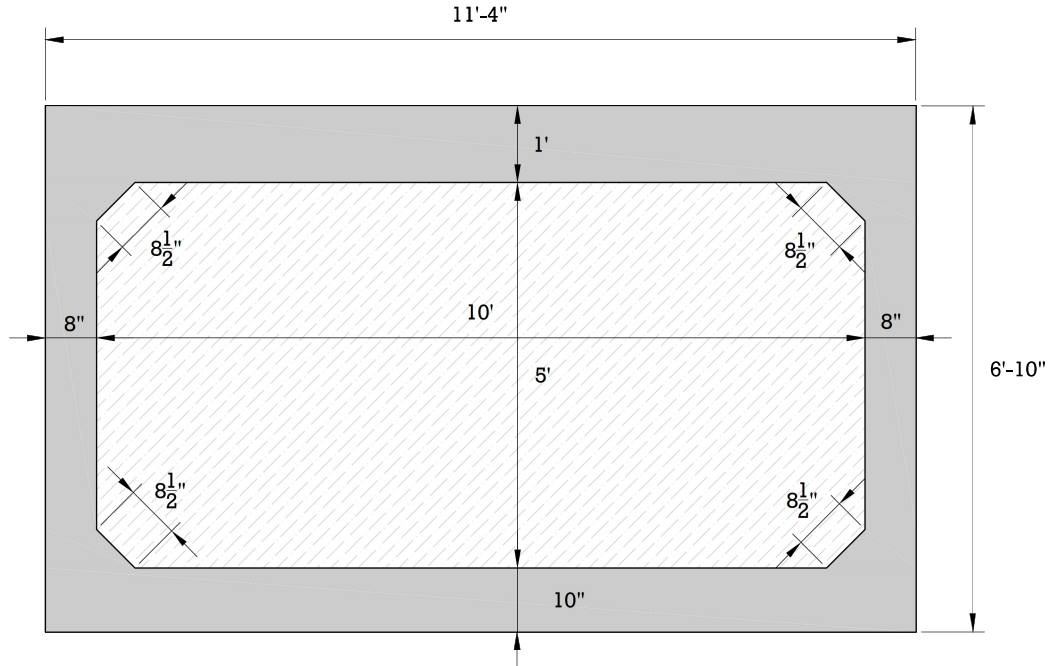


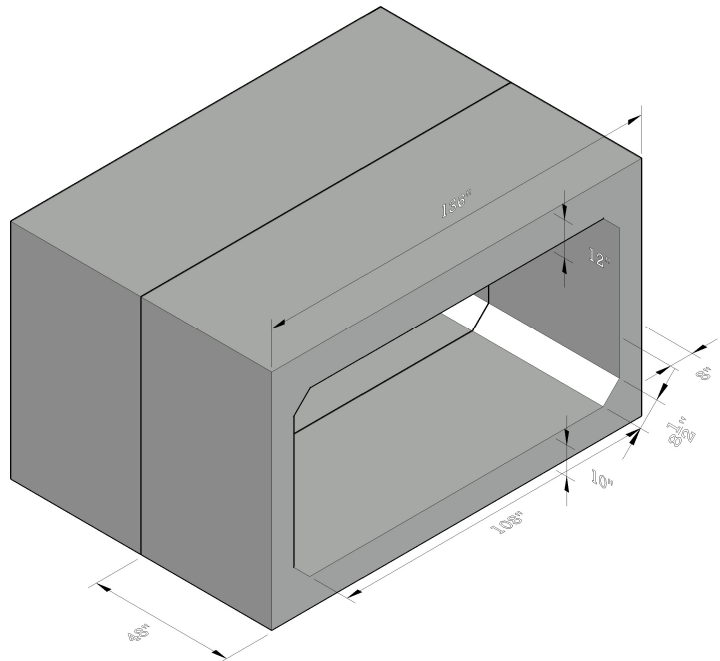
BOX CULVERT



FRONT VIEW



**ENLARGED VIEW
POCKET BOLT**



ISOMETRIC VIEW

			WEIGHT (LBS)	SPECIFICATIONS
				Concrete: 5000PSI @ 28 days
				Reinforcement: Bar ASTM A615 GR60 WWR ASTM A185/A497 GR65
				Structure is designed to meet HS 20-44 loading requirements
				Frame and Grates Available; Heavy Duty & Bicycle Safe