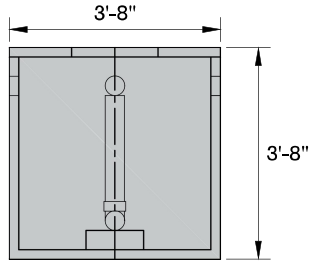
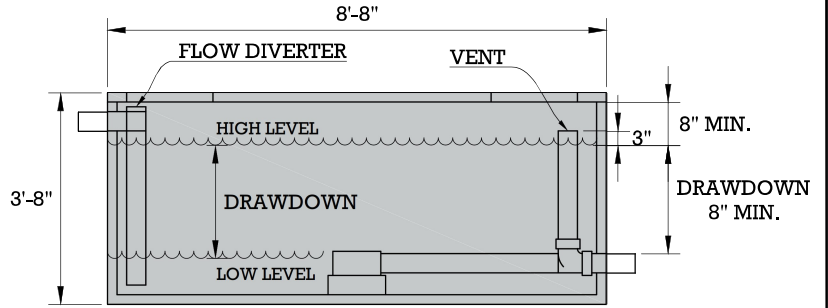


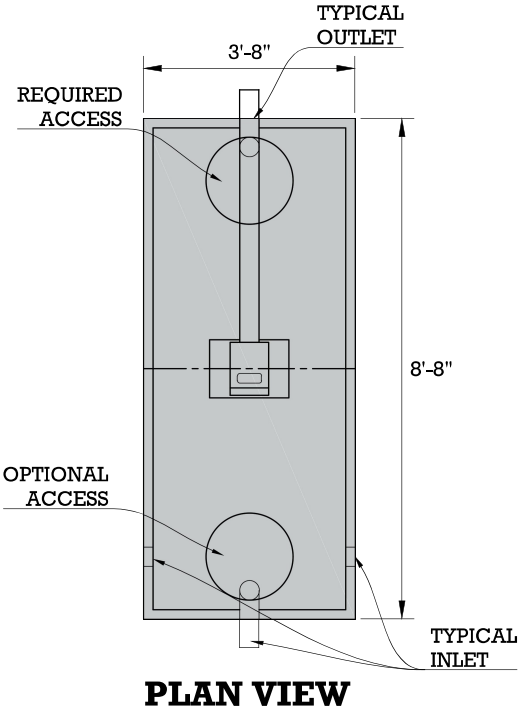
# FLOUT TANK



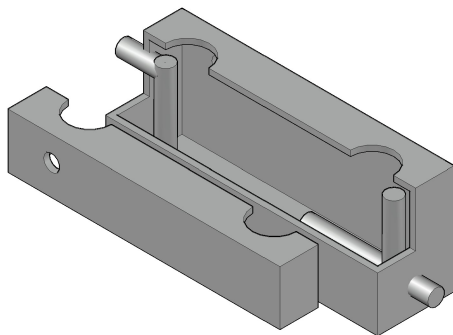
**END VIEW**



**SIDE VIEW**



**PLAN VIEW**



**ISOMETRIC VIEW**

TANK	W	L	D
"A"	42"	84"	36"
"B"	48"	96"	36"
"C"	66"	90"	42"

\* CAN BE USED FOR AN ALTERNATING FLOUT SYSTEM.  
15" DD MINIMUM REQUIREMENT  
DD = DRAWDOWN

FLOUT TANK "A"				
CI	USE INLET NUMBER	DD	DOSE	V
27"	3	15"	165	23"
27"	3	12"	126	20"
22"	2	10"	105	18"
22"	2	8"	84	16"
18"	1	6"	63	14"
<b>WEIGHT:</b>		<b>TANK VOLUME:</b>		
TOP:		1,144 lbs.	132.3	CAL./L.F.
BOTTOM:		4,057 lbs.	11.8	GAL./IN.
TOTAL:		5,201 lbs.		

FLOUT TANK "B"				
CI	USE INLET NUMBER	DD	DOSE	V
27"	3	15"	225	23"
27"	3	12"	180	20"
22"	2	10"	150	18"
22"	2	8"	120	16"
18"	1	6"	90	14"
<b>WEIGHT:</b>		<b>TANK VOLUME:</b>		
TOP:		1,494 lbs.	216	GAL./L.F.
BOTTOM:		4,699 lbs.	15.2	GAL./IN.
TOTAL:		6,193 lbs.		

FLOUT TANK "C"				
CI	USE INLET	DD	DOSE	V

SIZE	WEIGHT (LBS)	SPECIFICATIONS
"A"	5,201	Concrete: 4000PSI @ 28 days
"B"	6,193	Reinforcement: ASTM A615/A615M GRADE 60 ASTM A1064/A1064M-16B
"C"	8,154	
		<ul style="list-style-type: none"> <li>The tank is a monolithic pour (no mid seams).</li> <li>Top Slab is sealed with prostick mastic.</li> <li>The tank is designed to meet HS 20-44 loading requirements.</li> <li>Reinforced lid - has optional PA inspection port.</li> <li>Reinforced risers are available.</li> <li>3 optional inlets and 1 outlet location.</li> </ul>

